

# TA-F303ESD/F630ESD

## SERVICE MANUAL

Canadian Model  
AEP Model  
UK Model  
TA-F630ESD  
E Model  
TA-F303ESD

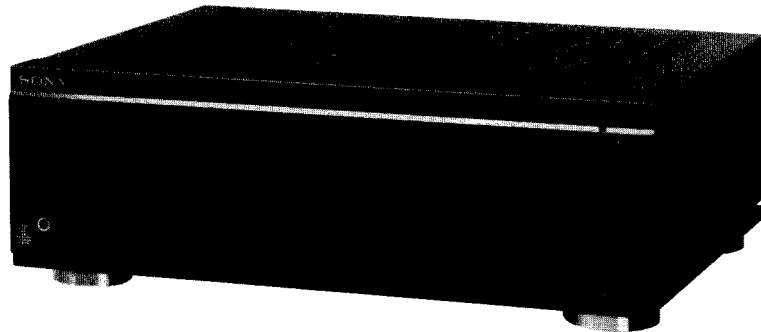


photo : TA-F630ESD

### SPECIFICATIONS

#### Amplifier section

Item	Condition		Data
Continuous RMS power out (both channels driven simultaneously)	4 ohms, 20 Hz-20 kHz THD 0.008%	Canadian, UK, E model	120 W + 120 W (THD 0.01%) (DIN: 160 W + 160 W)
		Canadian, UK, E model	100 W + 100 W (DIN: 120 W + 120 W)
	6 ohms, 20 Hz-20 kHz THD 0.006%	AEP, West Germany model	95 W + 95 W (DIN: 115 W + 115 W)
		Canadian, UK, E model	90 W + 90 W (DIN: 110 W + 110 W)
8 ohms, 20 Hz-20 kHz THD 0.004%	AEP, West Germany model	80 W + 80 W (DIN: 100 W + 100 W)	
Power band width (IHF)	8 ohms, THD 0.02%		10 Hz - 100 kHz at 45 W
Dynamic headroom (*78 IHF)	4 ohms		2 dB
	8 ohms		1.2 dB
Total harmonic distortion	8 ohms, at 10 watt output		0.003%
Intermodulation (IM) distortion 60 Hz: 7 kHz = 4:1	4 ohm, at rated output		0.008%
	6 ohms at rated output		0.006%
	8 ohms at rated output		0.004%
Damping factor	8 ohms, 1 kHz		50
Residual noise	network A		less than 90µV
Frequency response	PHONO MM		RIAA equalization curve ±0.2 dB
	TUNER, CD, TAPE 1, 2, 3, DIRECT IN		2 Hz - 200 kHz $\begin{matrix} +0 \\ -3 \end{matrix}$ dB
Input sensitivity	PHONO	MC	0.17 mV, 100 ohms.
		MM	2.5 mV, 50 kohms
	TUNER, CD, DIRECT IN, TAPE 1, 2, 3 ADAPTOR IN		150 mV, 50 kohms
S/N (network)	PHONO	MC	68 dB 76 dB* (A)
		MM	80 dB 87 dB* (A)
	*78 (IHF) TUNER, CD, DIRECT IN, TAPE 1, 2, 3 ADAPTOR IN		84 dB 105 dB* (A)

—Continued on page 2—

INTEGRATED STEREO AMPLIFIER  
**SONY**®



H1 555

Item	Condition	Data
Output voltage impedance	REC OUT 1, 2, 3 ADAPTOR OUT	150 mV, 1 kohm
	HEADPHONES	25 miliwatts (at 8 ohms) Accepts low and high impedance headphones.
Tone controls	BASS, at 100 Hz	±6 dB (turnover freq. 400 Hz)
	TREBLE, at 10 kHz	±6 dB (freq. 4 kHz)

**DA converter section**

Item	Condition	Data
Input sensitivity	DIGITAL COAXIAL IN	0.5 Vp-p, ±20%, 75 ohms
	DIGITAL OPTICAL IN 1, 2	TOSLINK
Output voltage impedance	DIGITAL OPTICAL 2 REC OUT	TOSLINK
Output voltage	DA converter	2 V

**General**

**System** Preamplifier section: Low-noise high gain NFB type equalizer amplifier, passive type direct tone control  
Power amplifier section: Pure-complementary SEPP power amplifier

**Power requirements**

AEP, West Germany model : 220 V AC, 50 Hz  
U K model: 240 V AC, 50 Hz  
E model : 120 V, 220 V or 240 V AC  
adjustable, 50/60 Hz  
Canadian model : 120 V, AC, 50/60Hz

**Power consumption**

Canadian model	510 VA
AEP, UK, West Germany model	220 W
UK model	600 W
E model	340 W

**AC outlet**

Canadian model	2 switched, 1 unswitched, 100 watts max. each
AEP, UK, West Germany model	—
E model	1 switched, 1 unswitched, 100 watts each

**Dimensions**

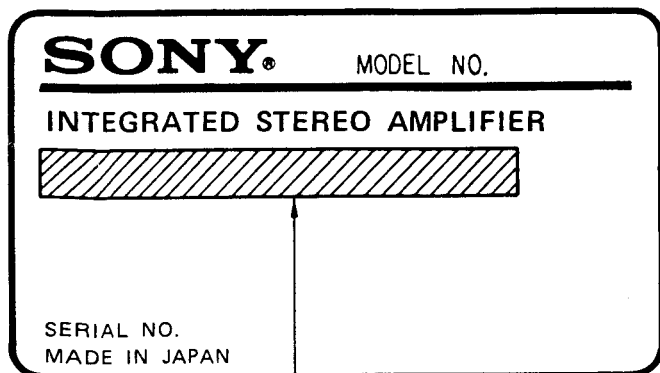
Approx. 430 x 150 x 390 mm (w/h/d)  
( 17 x 5<sup>7</sup>/<sub>8</sub> x 15<sup>3</sup>/<sub>8</sub> inches)

**Weight**

Approx. 13.7 kg (30 lbs 4 oz) net

**MODEL IDENTIFICATION**

— Specification Label —



AEP, West Germany Model: AC: 220 V ~ 50/60 Hz  
UK Model: AC: 240 V ~ 50/60 Hz  
E Model: AC: 120/220/240 V  
~ 50/60 Hz  
Canadian Model : AC: 120V 60Hz

**TABLE OF CONTENTS**

<u>Section</u>	<u>Title</u>	<u>Page</u>
Specification .....		1
Model Identification .....		2
Safety Check-Out .....		2
On Operating Voltage .....		3
<b>1. GENERAL</b>		
Parts Identification .....		4
<b>2. ELECTRICAL ADJUSTMENTS</b> .....		5
<b>3. DIAGRAMS</b>		
3-1. Schematic Diagrammp (Amp Section) .....		7
3-2. Printed Wiring Boards (Amp Section) .....		11
3-3. Printed Wiring Boards (D/A Converter Section) .....		16
3-4. Schematic Diagram (D/A Converter Section) ...		18
<b>4. EXPLODED VIEWS</b> .....		22
<b>5. ELECTRICAL PARTS LIST</b> .....		25

## SAFETY CHECK-OUT

After correcting the original service problem, perform the following safety check before releasing the set to the customer:

Check the antenna terminals, metal trim, "metallized" knobs, screws, and all other exposed metal parts for AC leakage. Check leakage as described below.

### LEAKAGE TEST

The AC leakage from any exposed metal part to earth ground and from all exposed metal parts to any exposed metal part having a return to chassis, must not exceed 0.5 mA (500 microamperes). Leakage current can be measured by any one of three methods.

1. A commercial leakage tester, such as the Simpson 229 or RCA WT-540A. Follow the manufacturers' instructions to use these instruments.
2. A battery-operated AC milliammeter. The Data Precision 245 digital multimeter is suitable for this job.
3. Measuring the voltage drop across a resistor by means of a VOM or battery-operated AC voltmeter. The "limit" indication is 0.75 V, so analog meters must have an accurate low-voltage scale. The Simpson 250 and Sanwa SH-63Trd are examples of a passive VOM that is suitable. Nearly all battery operated digital multimeters that have a 2 V AC range are suitable. (See Fig. A)

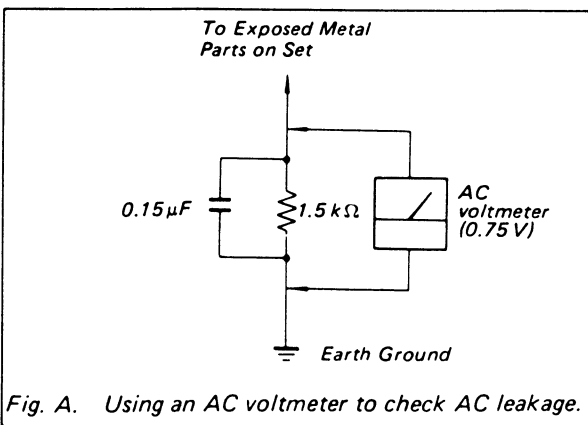
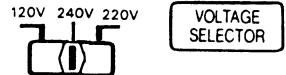


Fig. A. Using an AC voltmeter to check AC leakage.

### On operating voltage

Before operating the unit, check that the operating voltage of your unit is identical with the voltage of your local power supply.

Where purchased	Operating voltage
UK Model	240 V AC
Canadian Model	120V AC
AEP, West Germany Model	220 V AC
E Model	120 V, 220 V or 240 V AC adjustable by AC voltage selector



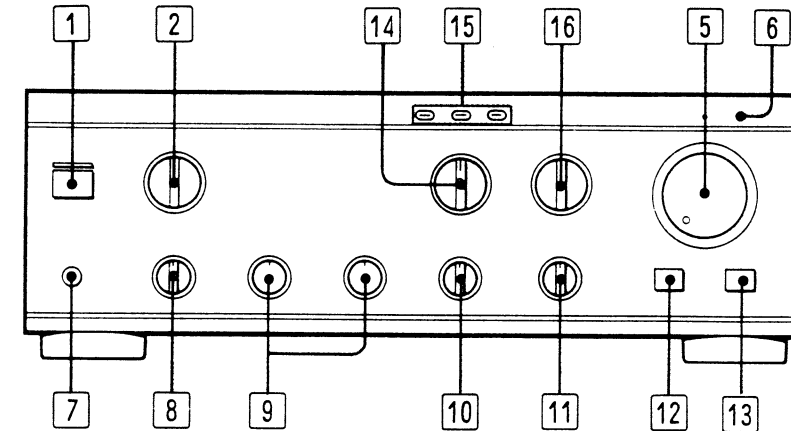
### SAFETY-RELATED COMPONENT WARNING!!

COMPONENTS IDENTIFIED BY MARK  $\Delta$  OR DOTTED LINE WITH MARK  $\Delta$  ON THE SCHEMATIC DIAGRAMS AND IN THE PARTS LIST ARE CRITICAL TO SAFE OPERATION. REPLACE THESE COMPONENTS WITH SONY PARTS WHOSE PART NUMBERS APPEAR AS SHOWN IN THIS MANUAL OR IN SUPPLEMENTS PUBLISHED BY SONY.

### ATTENTION AU COMPOSANT AYANT RAPPORT À LA SÉCURITÉ!

LES COMPOSANTS IDENTIFIÉS PAR UNE MARQUE  $\Delta$  SUR LES DIAGRAMMES SCHÉMATIQUES ET LA LISTE DES PIÈCES SONT CRITIQUES POUR LA SÉCURITÉ DE FONCTIONNEMENT. NE REMPLACER CES COMPOSANTS QUE PAR DES PIÈCES SONY DONT LES NUMÉROS SONT DONNÉS DANS CE MANUEL OU DANS LES SUPPLÉMENTS PUBLIÉS PAR SONY.

## SECTION 1 GENERAL



- 1 **POWER switch and power/standby indicator**  
Immediately after turning ON the power, the standby indicator lights in red as the built-in muting circuit activates.  
When the amplifier stays in a stable operating condition, the indicator lights in green.  
The indicator lights in red when the unit detects shorting of circuit of the speaker outputs or in case of short-circuit of the inputs of DC components.  
In such a case, disconnect the power source and check the connected components and speaker systems.
- 2 **SPEAKERS selector**  
Select speaker system A or B, or both.  
To use power amplifier or active speaker system connected to the PRE OUT jacks, set the selector to B/ PRE OUT.  
For headphone monitoring only, set the selector to OFF.
- 3 **ATTENUATOR knob**  
Regulates the sound level.
- 4 **MUTING switch and indicator**  
Generally, keep the switch released (OFF).  
Depress the switch to reduce the sound level by 20 dB. (Output voltage becomes 1/10.)
- 5 **HEADPHONES jack (stereo phone jack)**
- 6 **MODE selector**  
STEREO: For listening to a stereo program.  
MONO: For listening to a monaural program.
- 7 **BASS and TREBLE controls**
- 8 **REC OUT SELECTOR**  
Selects the program source sent to the REC OUT jacks (rear panel).  
When set to DIGITAL, the selection is made with the DIGITAL INPUT SELECTOR.
- 9 **BALANCE control**  
Controls the sound level of left and right speakers.
- 10 **SOURCE DIRECT switch and indicator**  
Depress the switch. The red indicator lights and the circuits of the tone control, subsonic filter switch, balance control and mode switch are disengaged without regard to the setting of the switches.  
When this switch is activated, the indicator of the TONE switch does not light.
- 11 **CARTRIDGE selector**  
Set the selector according to your cartridge.  
MM: For moving-magnet type cartridge  
MC: For moving-coil type cartridge.
- 12 **DIGITAL INPUT SELECTOR**  
Selects the desired digital program source. When set to ANALOG, selection is made with the ANALOG INPUT SELECTOR.
- 13 **SAMPLING FREQ (frequency) indicator**  
When a digital signal is being input correctly, the sampling frequency of the signal is displayed (44.1 kHz is displayed when CD player is being played).  
The indicator lights in a second after the DIGITAL INPUT is selected and the program source starts at the same time.
- 14 **ANALOG INPUT SELECTOR**  
Selects the desired analog program source. The selection is made only when the DIGITAL INPUT SELECTOR is set to ANALOG.

### PRECAUTIONS

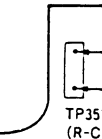
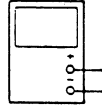
1. Adjust 10-15
2. Always the po

### WARNING

Procedure Set the A adjust RT voltmeter

### Adjustment

digital voltmeter (DC0.25V range)



## SECTION 2 ELECTRICAL ADJUSTMENTS

### PRECAUTIONS

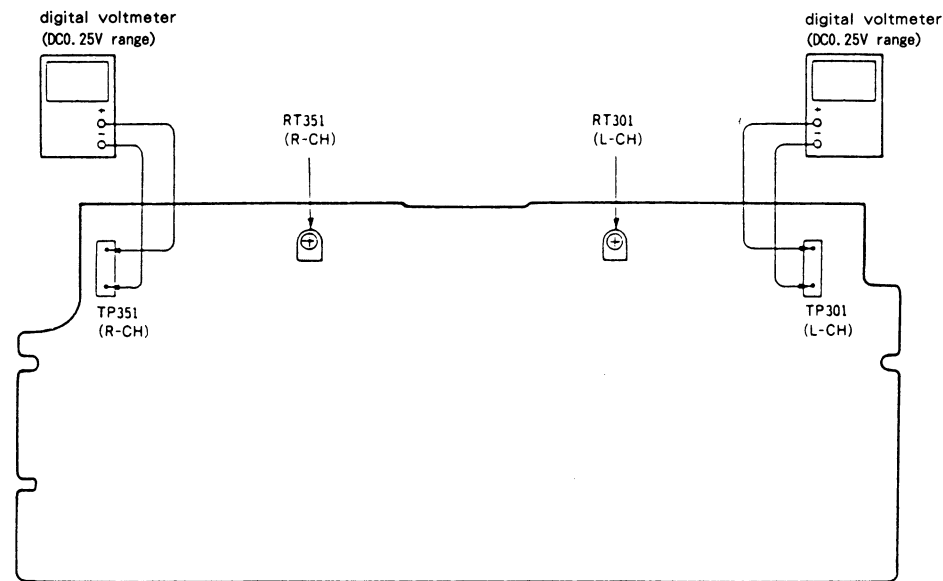
1. Adjust the idling after tuning the unit on for about 10-15 minutes, giving it time to warm up.
2. Always make sure to adjust the idling when repairing the power amp section or when replacing any parts.

### IDLING ADJUSTMENT

Procedure :

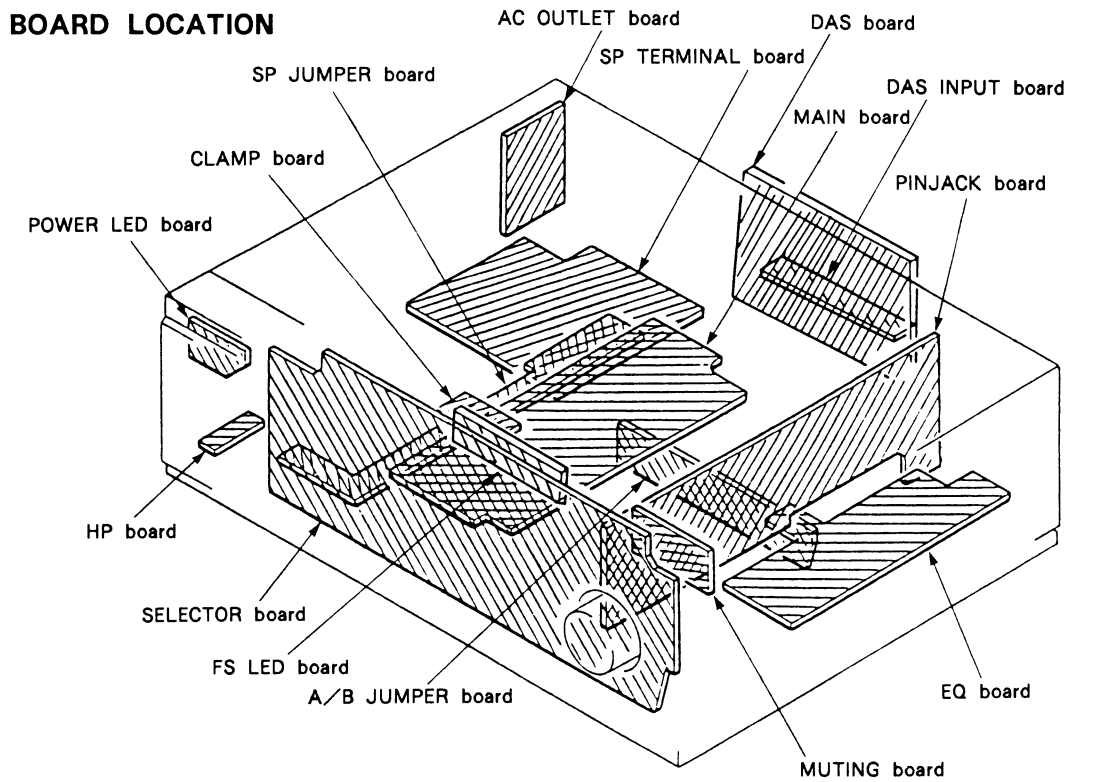
Set the ATTENUATOR control as low as possible and adjust RT301 (L-CH) and RT351 (R-CH) so that the voltmeter reads 7mV at TP301 (L-CH) and TP351 (R-CH).

Adjustment Location: power board



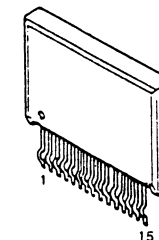
## SECTION 3 DIAGRAMS

### CIRCUIT BOARD LOCATION



### ● Semiconductor Lead Layouts

STK-3102-3



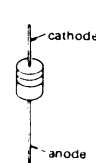
2SA733-Q  
2SA988-F  
2SC945-P  
2SC2545  
2SC3622A-L



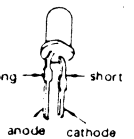
2SC3423



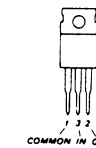
HZS7B2L  
1SS168



SEL2810A



M5F7806



2SA985A  
2SC2275-P



2SD774-3



SEL2213C



DTA124ES  
DTC124ES



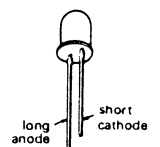
2SA1215M-0  
2SC2921M-0



US1060M  
UZL-16L  
10E2N  
30DF2




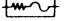
SEL2510C

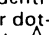
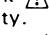


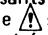




3-1. SCHEMATIC DIAGRAMS - AMP SECTION -

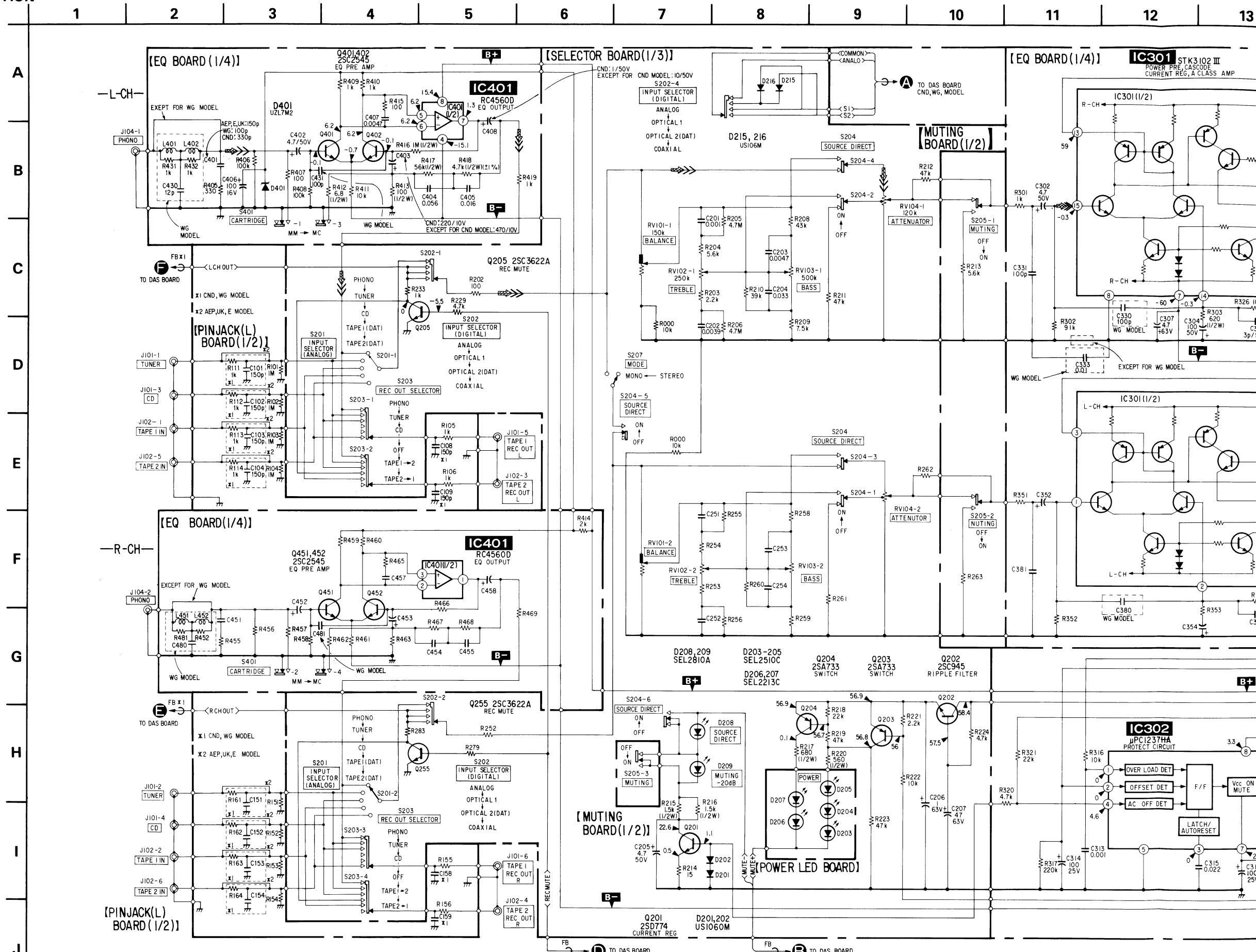
Note on Schematic Diagrams :

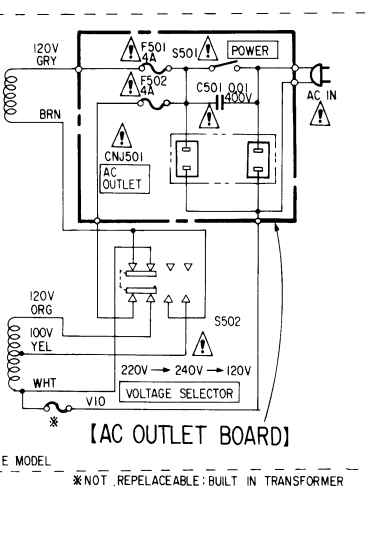
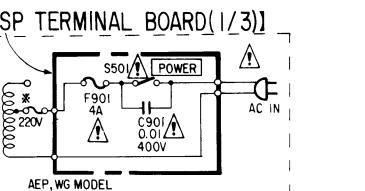
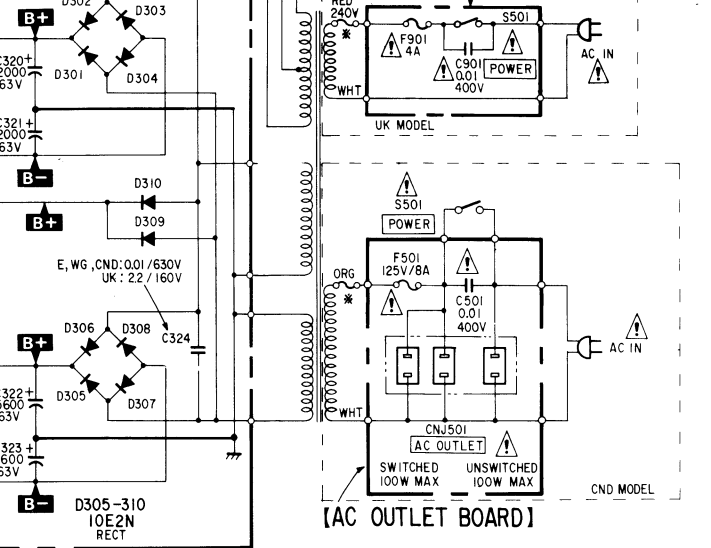
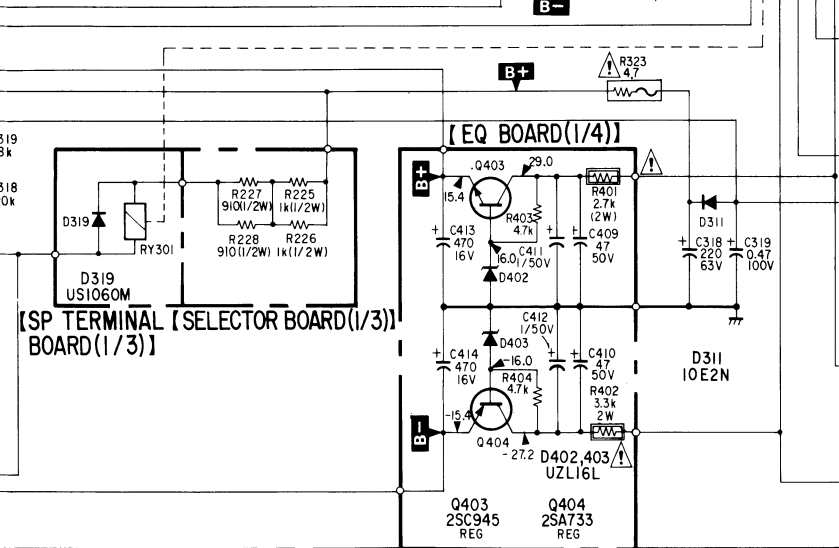
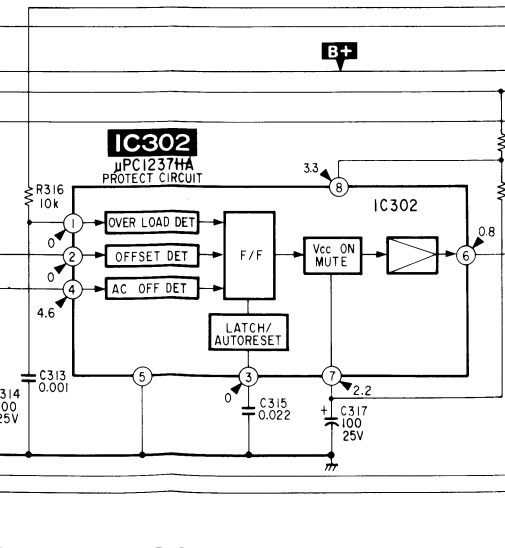
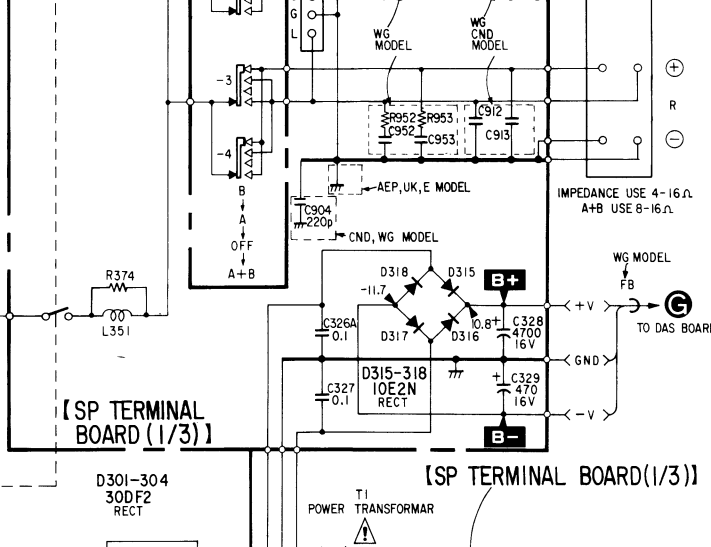
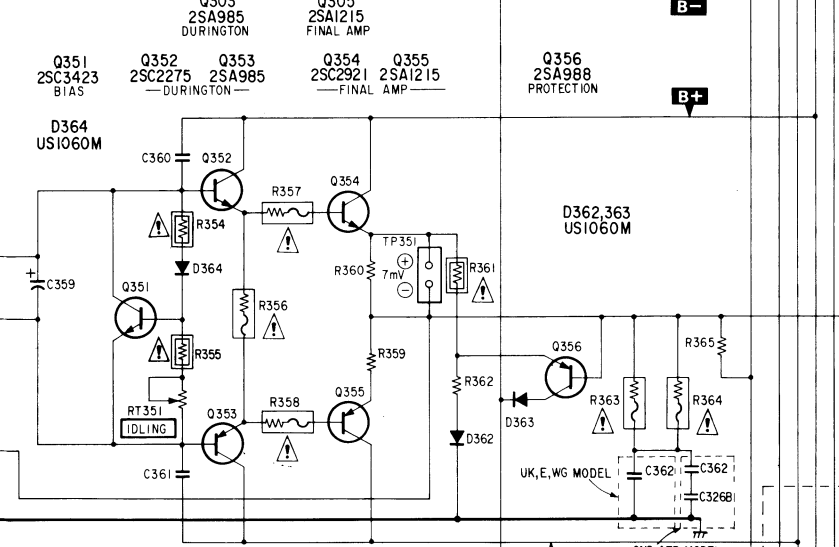
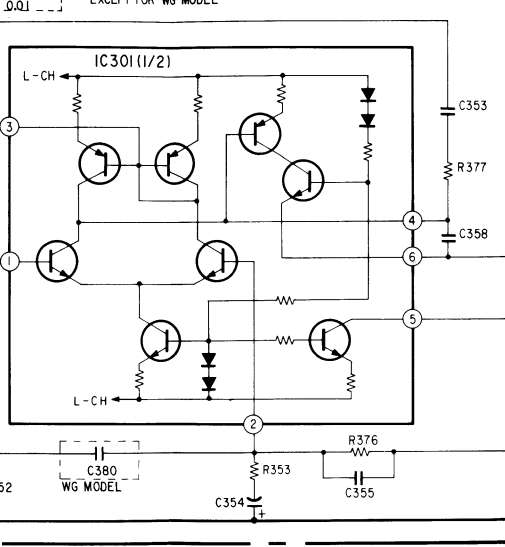
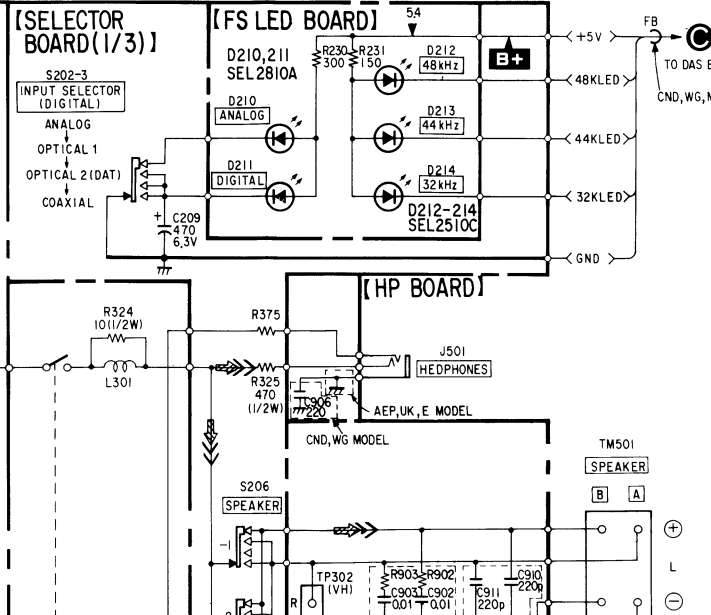
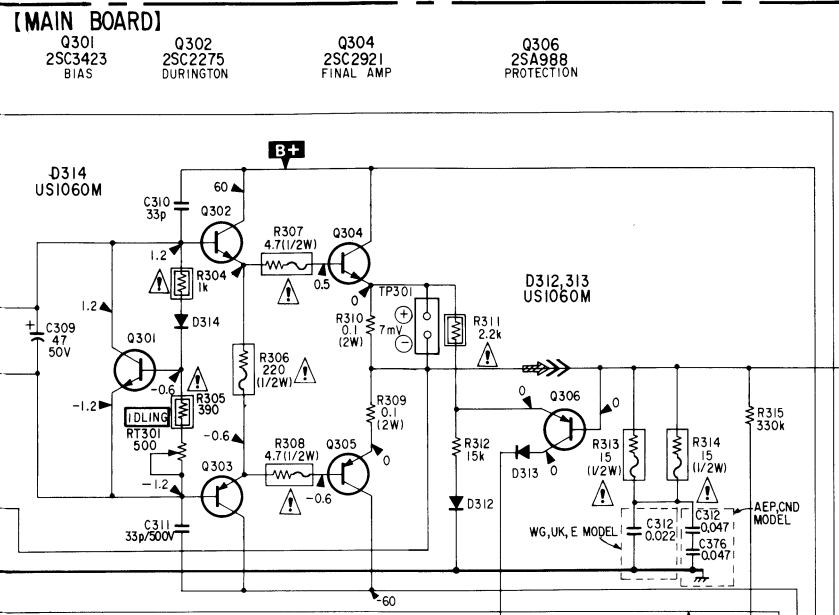
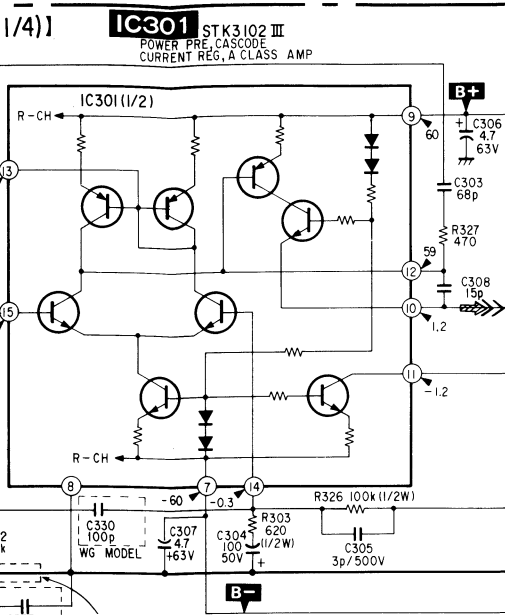
- All capacitors are in  $\mu\text{F}$  unless otherwise noted.  $\text{pF}$ :  $\mu\text{F}$
- 50WV or less are not indicated except for electrolytics and tantalums.
- All resistors are in  $\Omega$  and  $1/4\text{W}$  or less unless otherwise specified.
- Components for right channel have same values as for left channel.
-  : nonflammable resistor.
-  : fusible resistor.

**Note:**  
The components identified by mark  or dotted line with mark  are critical for safety. Replace only with part number specified.

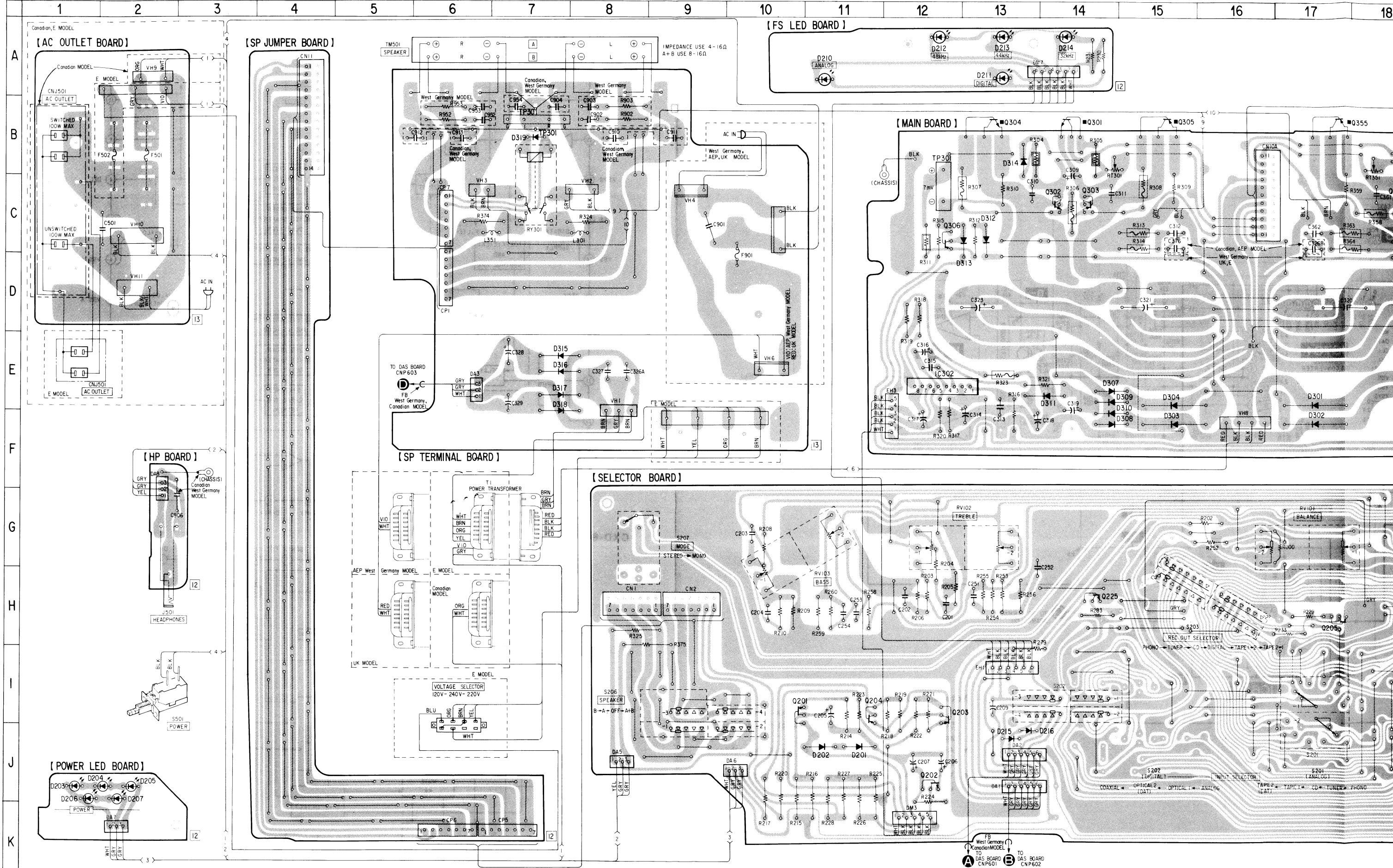
**Note:**  
Les composants identifiés par une marque  sont critiques pour la sécurité. Ne les remplacer que par une pièce portant le numéro spécifié.

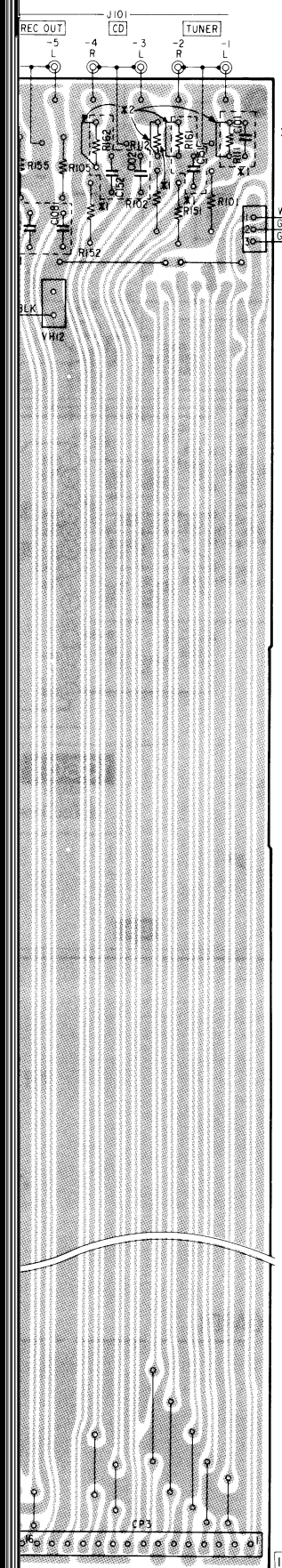
-  : adjustment for repair.
- Voltage and waveforms are dc with respect to ground under no-signal conditions.  
[ ] : PHONO
- Voltages are taken with a VOM.  
(Input impedance  $10\text{M}\Omega$ )  
Voltage variations may be noted due to normal production tolerances.
- Signal path.  
 : PHONO
- WG : West Germany
- CND : Canadian



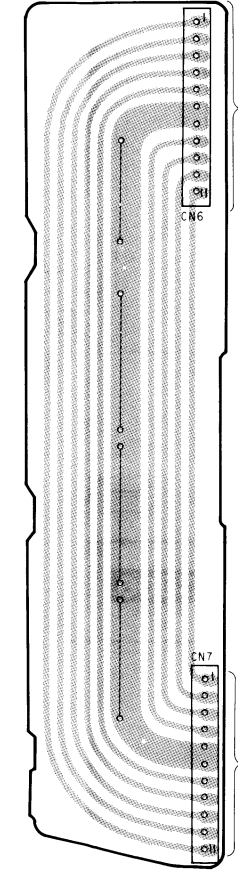


3-2. PRINTED WIRING BOARDS - AMP SECTION -

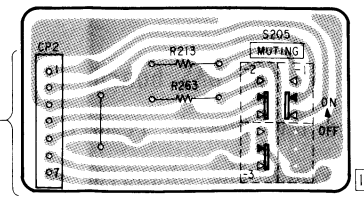




[ JUMPER BOARD ]



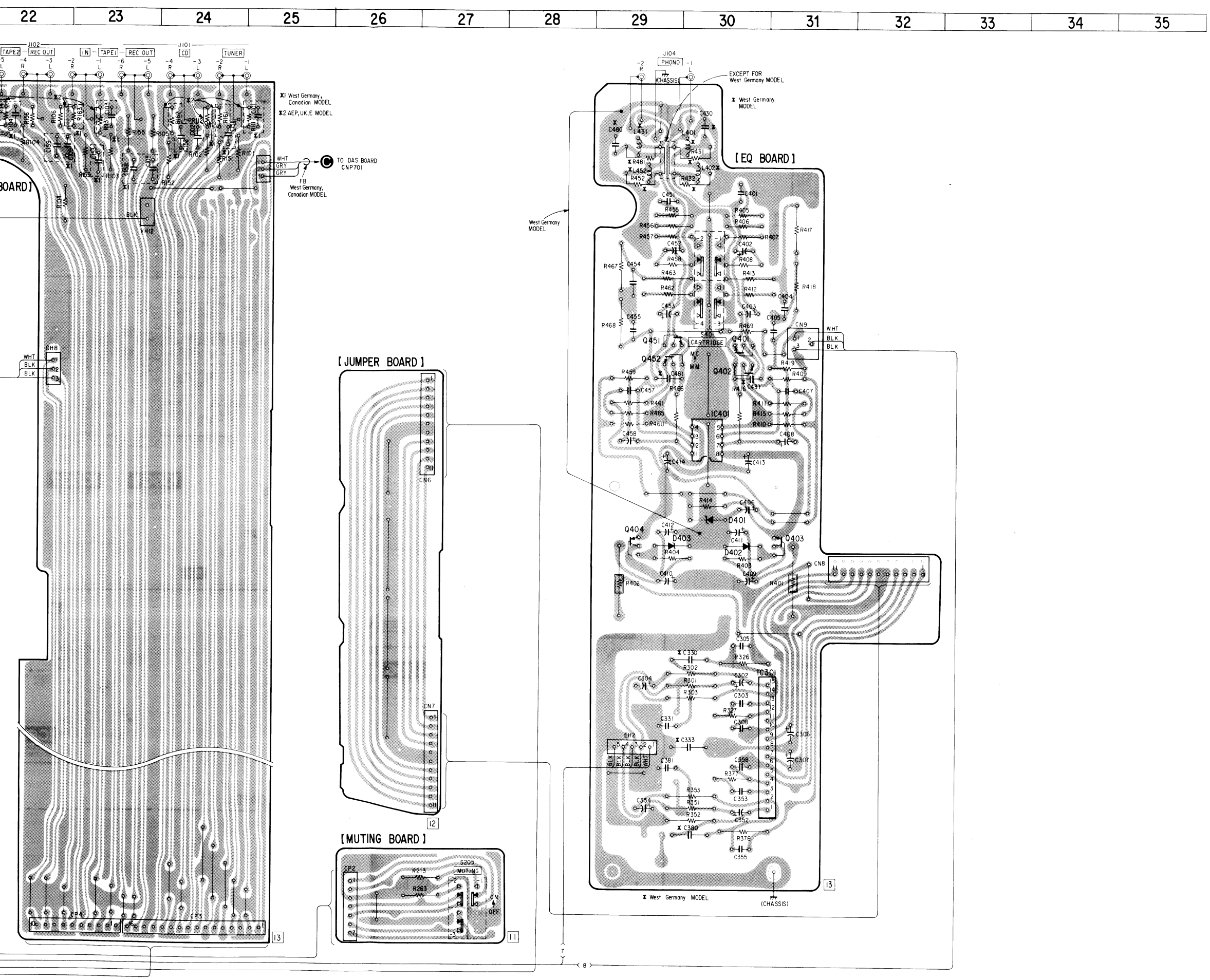
[ MUTING BOARD ]



West Germany MODEL

7  
8





● Semiconductor Location

Ref. No.	Location	Ref. No.	Location
D201	J-11	D363	C-20
D202	J-11	D364	B-19
D203	J-1	D401	F-30
D204	J-2	D402	F-30
D205	J-2	D403	F-29
D206	J-1		
D207	J-2	IC301	I-30
D208	G-19	IC302	E-12
D209	K-20	IC401	E-30
D210	A-11		
D211	A-13	Q201	I-10
D212	A-12	Q202	J-12
D213	A-13	Q203	I-12
D214	A-14	Q204	I-11
D215	J-13	Q205	H-17
D216	J-13	Q255	H-14
D301	E-17	Q301	B-14
D302	F-17	Q302	C-14
D303	F-15	Q303	C-14
D304	E-15	Q304	B-13
D305	E-18	Q305	B-15
D306	E-18	Q306	C-12
D307	E-14	Q351	B-18
D308	F-14	Q352	C-18
D309	E-14	Q353	C-18
D310	F-14	Q354	B-19
D311	E-14	Q355	B-17
D312	C-13	Q356	C-20
D313	C-13	Q401	D-30
D314	B-13	Q402	D-30
D315	E-7	Q403	F-31
D316	E-7	Q404	F-29
D317	E-7	Q451	D-29
D318	E-7	Q452	D-29
D319	B-7		
D362	C-19		

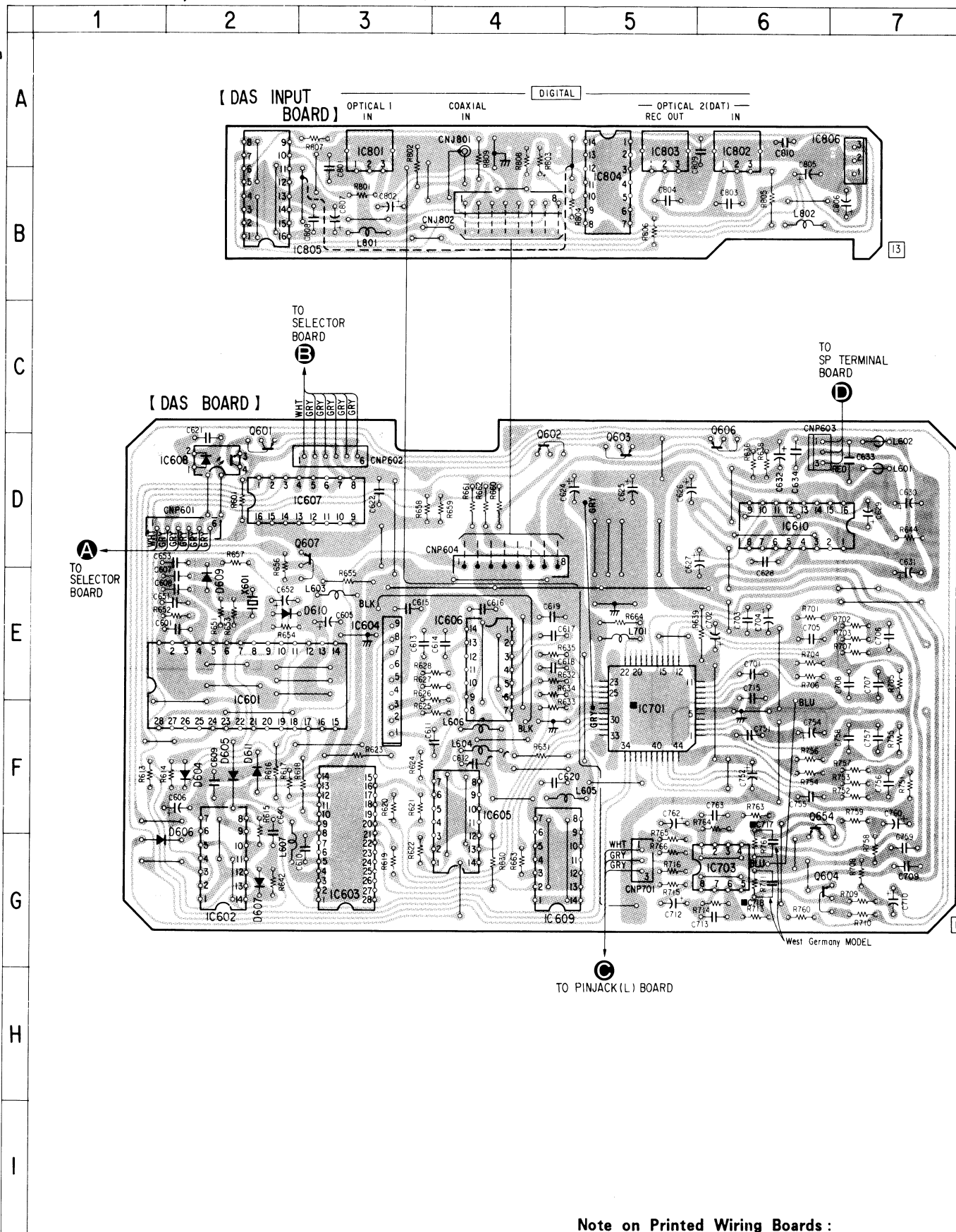
Note on Printed Wiring Boards :

- — : parts extracted from the component side.
- — : parts extracted from the conductor side.
- : parts mounted on the conductor side.

3-3. PRINTED WIRING BOARDS - D/A CONVERTER SECTION -

● Semiconductor Location

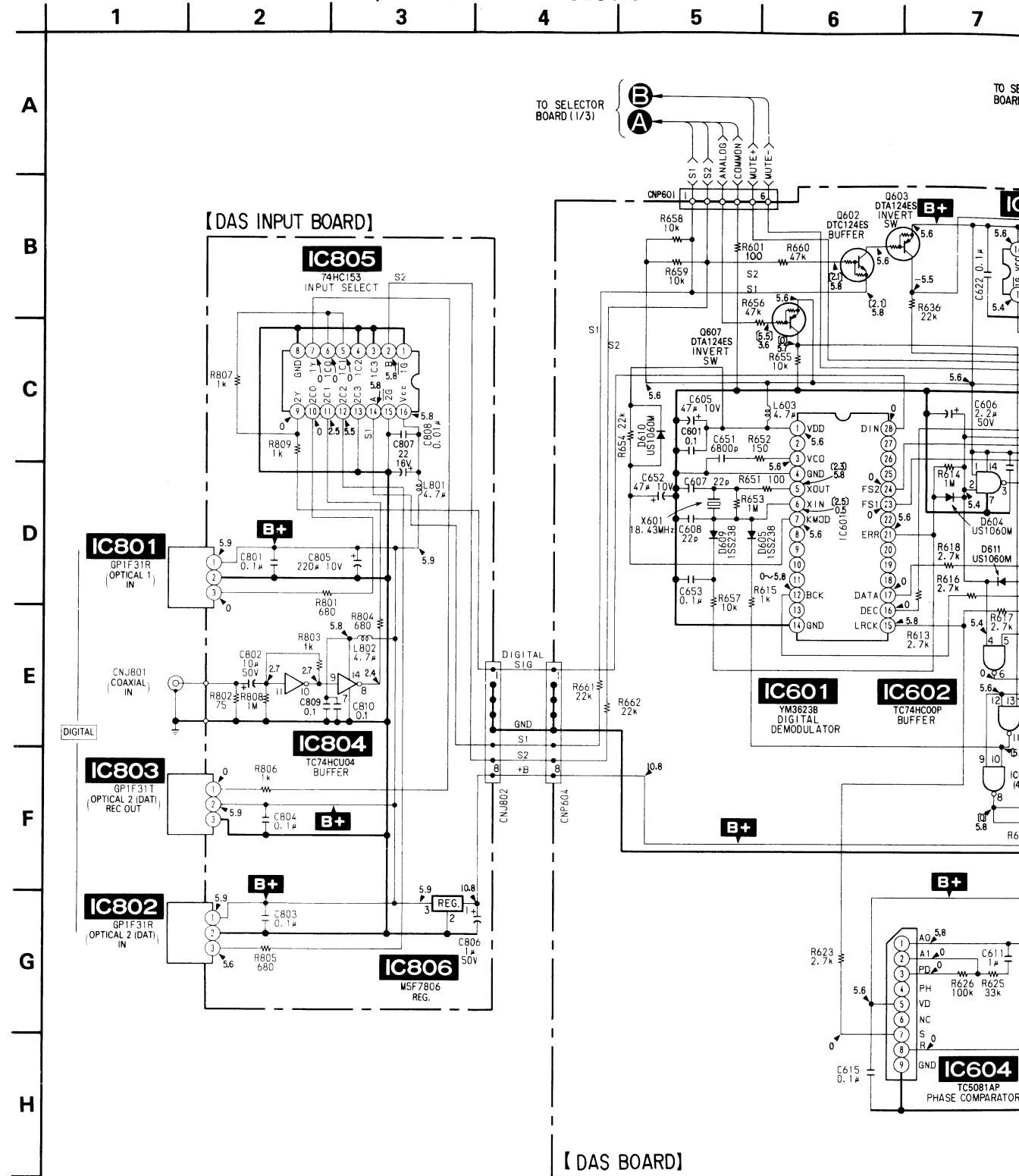
Ref. No.	Location
D604	F-2
D605	F-2
D606	F-1
D607	G-2
D609	D-2
D610	E-2
D611	F-2
IC601	E-2
IC602	F-2
IC603	G-3
IC604	E-3
IC605	F-4
IC606	E-4
IC607	D-2
IC608	C-2
IC609	F-4
IC610	D-6
IC701	E-5
IC703	G-6
IC801	A-3
IC802	A-6
IC803	A-5
IC804	A-5
IC805	B-2
IC806	A-7
Q601	C-2
Q602	C-4
Q603	C-5
Q604	G-6
Q606	C-6
Q607	D-2
Q654	F-6



Note on Printed Wiring Boards :

- — : parts extracted from the component side.
- : parts mounted on the conductor side.
- ⋈ : Jumper wire connected to the ground pattern on the component side.

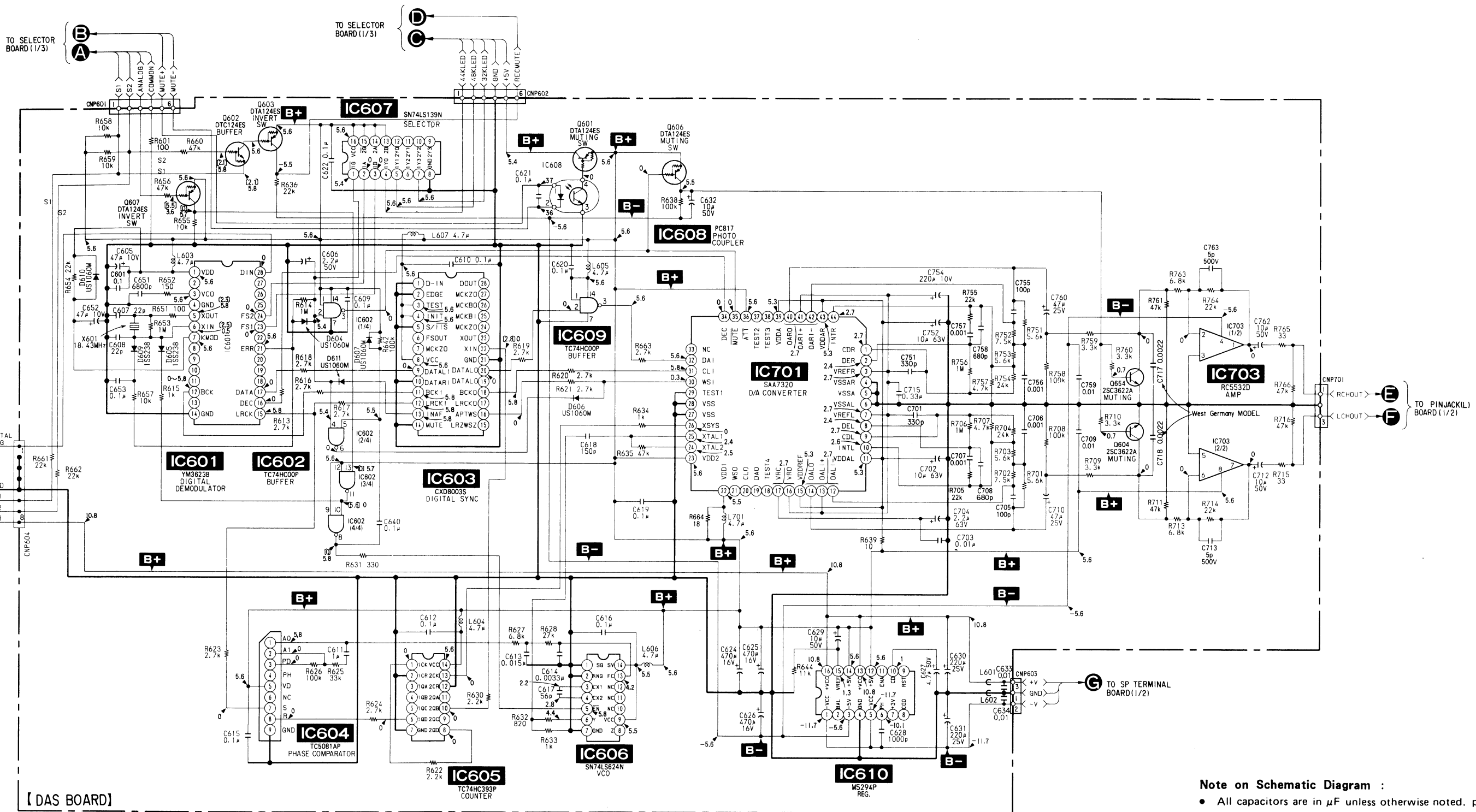
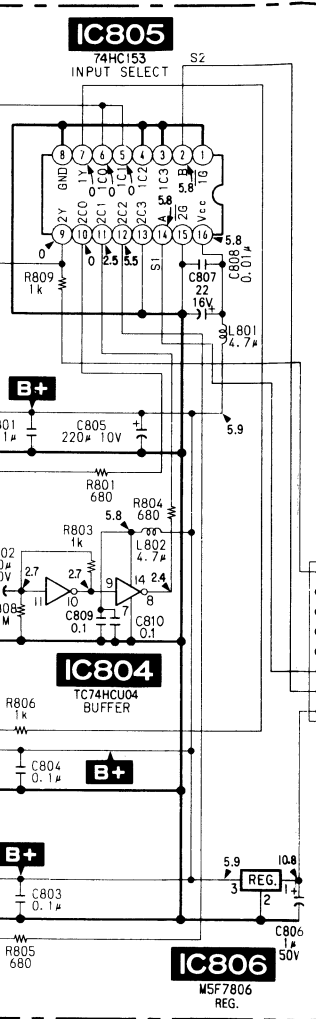
3-4. SCHEMATIC DIAGRAM - D/A CONVERTER SECTION -



\* caution on repairing the DAS board

When repairing the DAS board, remove the shielding case. Since the chassis, which had been acting as ground, is disconnected at that time, connect a ground lead wire during repair.

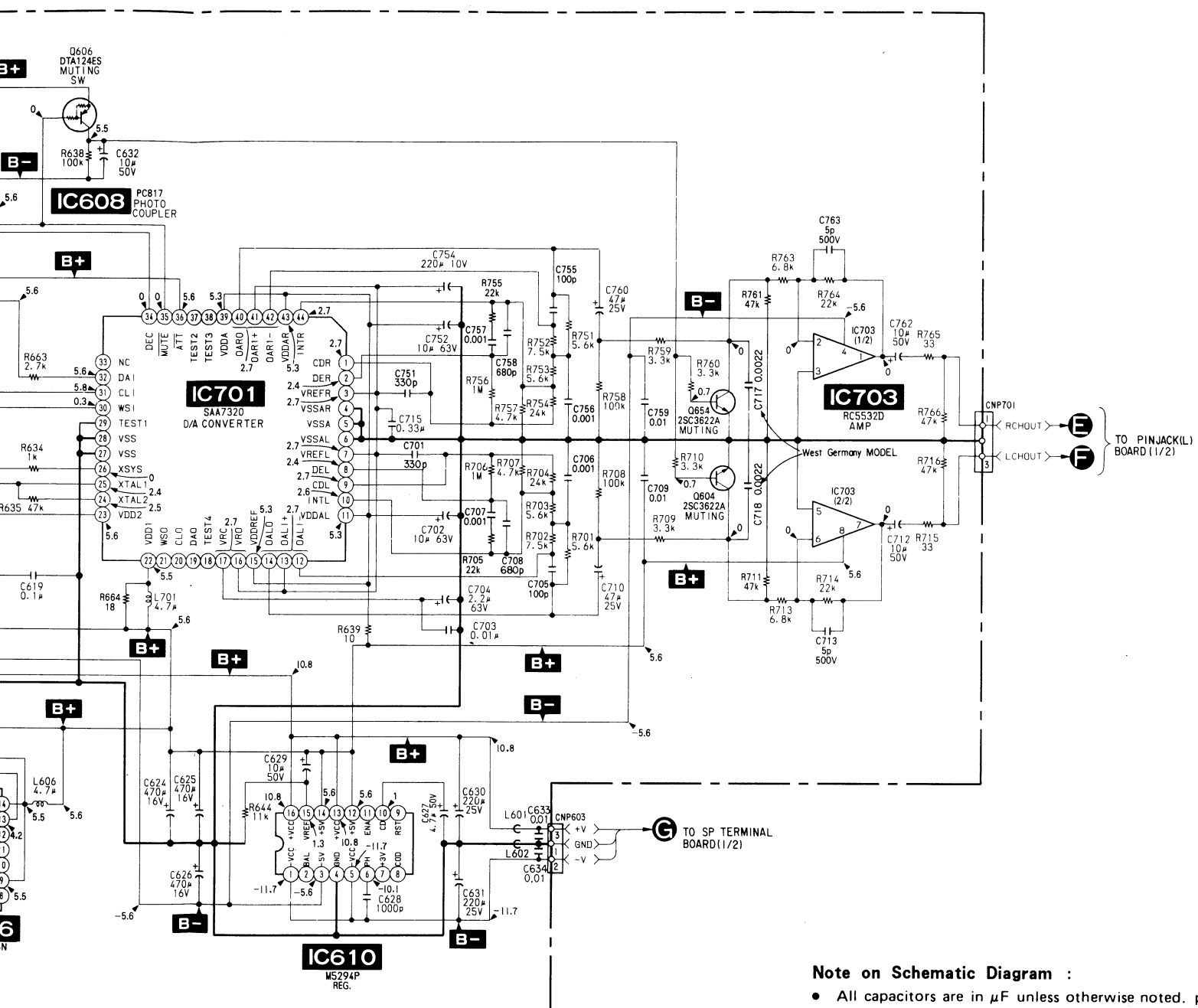
INPUT BOARD]



[ DAS BOARD ]

- Note on Schematic Diagram :**
- All capacitors are in  $\mu\text{F}$  unless otherwise noted.  $\text{pF}$ :  $\mu\text{F}$  50WV or less are not indicated except for electrolytics and tantalums.
  - All resistors are in  $\Omega$  and  $\frac{1}{4}\text{W}$  or less unless otherwise specified.
  - Voltage and waveforms are dc with respect to ground under no-signal conditions.  
no mark : PHONO  
[ ] : digital
  - Voltages are taken with a VOM. (Input impedance 10M  $\Omega$ )  
Voltage variations may be noted due to normal production tolerances.
  - Signal path.  
[ ] : digital input signal

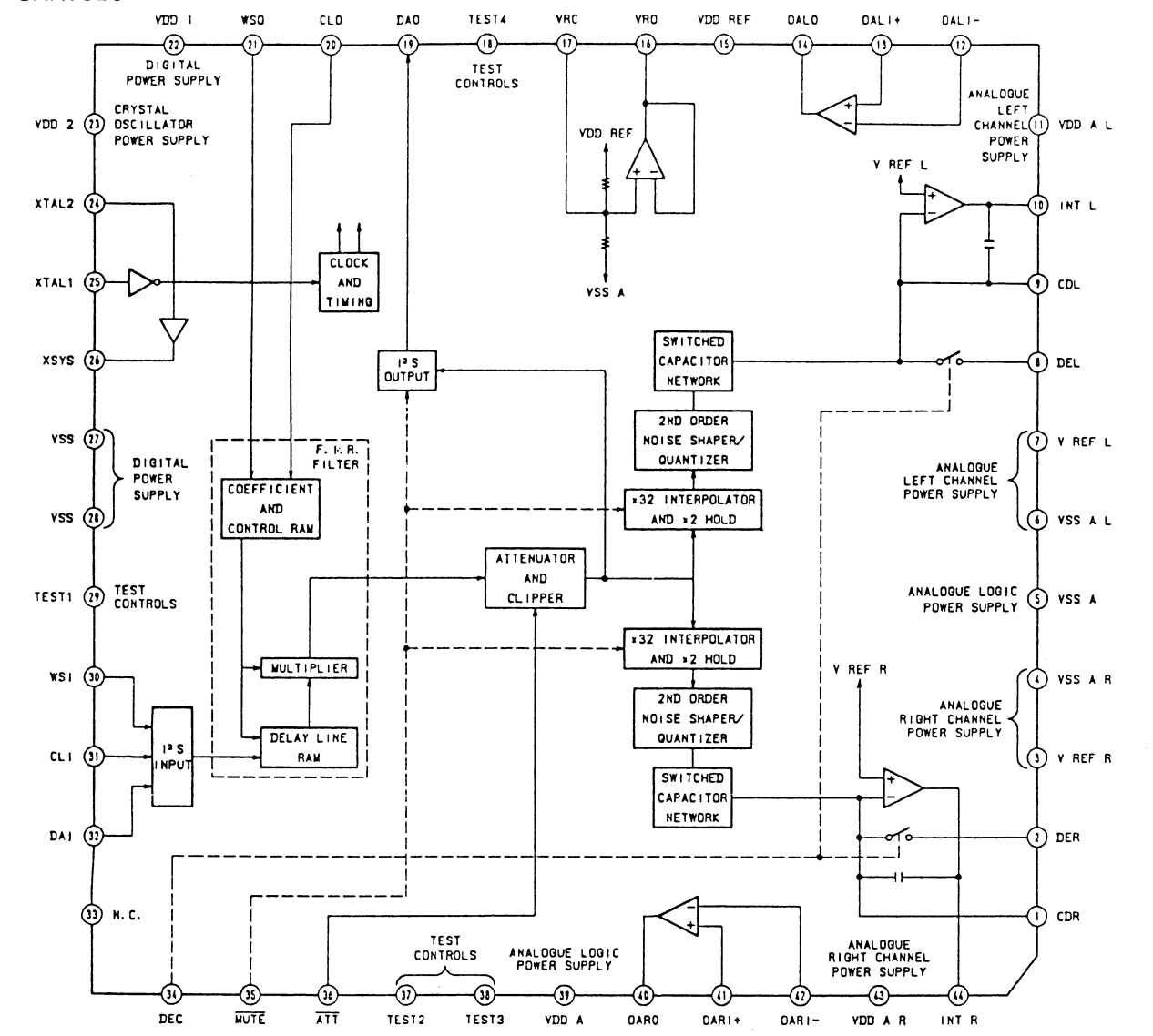
airing the DAS board  
the DAS board, remove the  
Since the chassis, which  
g as ground, is disconnected  
connect a ground lead wire



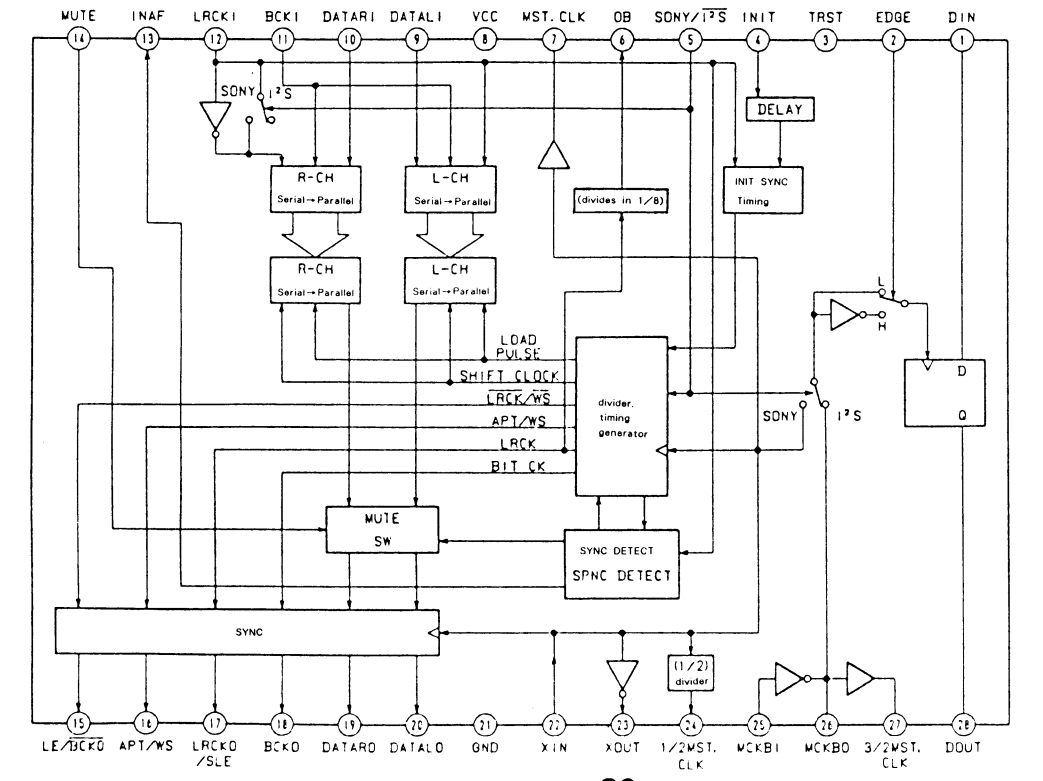
**Note on Schematic Diagram :**

- All capacitors are in  $\mu\text{F}$  unless otherwise noted.  $\text{pF}$ :  $\mu\mu\text{F}$  50WV or less are not indicated except for electrolytics and tantalums.
- All resistors are in  $\Omega$  and  $\frac{1}{4}\text{W}$  or less unless otherwise specified.
- Voltage and waveforms are dc with respect to ground under no-signal conditions.  
no mark : PHONO  
[ ] : digital
- Voltages are taken with a VOM. (Input impedance  $10\text{M}\Omega$ )  
Voltage variations may be noted due to normal production tolerances.
- Signal path.  
[ ] : digital input signal

SAA7320

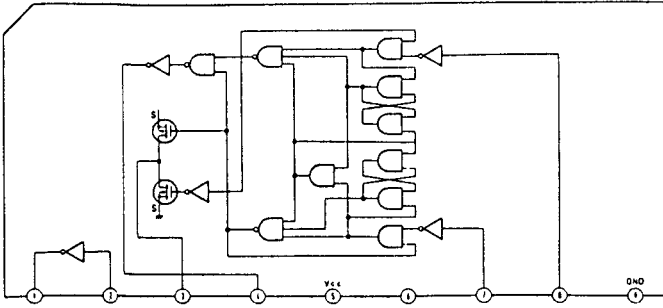


CXD-8003S

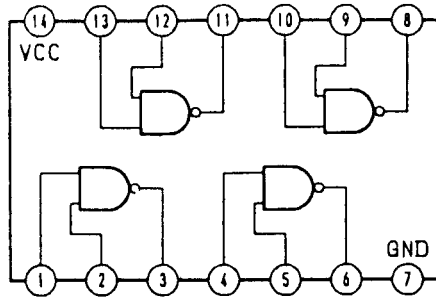




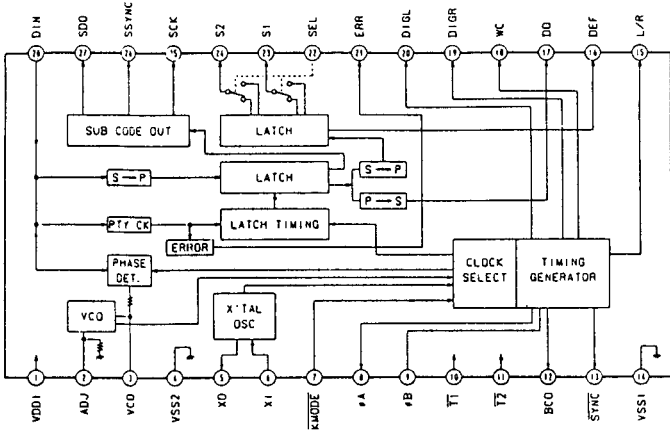
TC5081AP



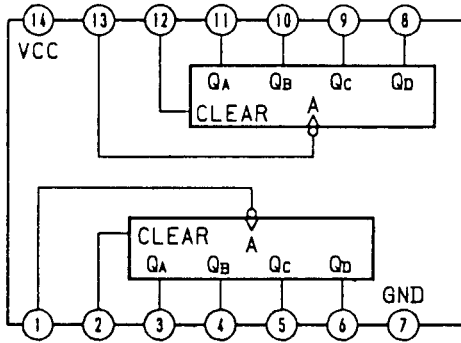
TC74HC00P



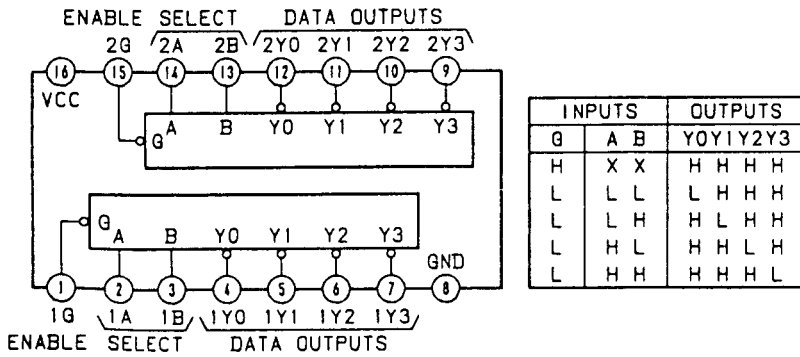
YM3623B



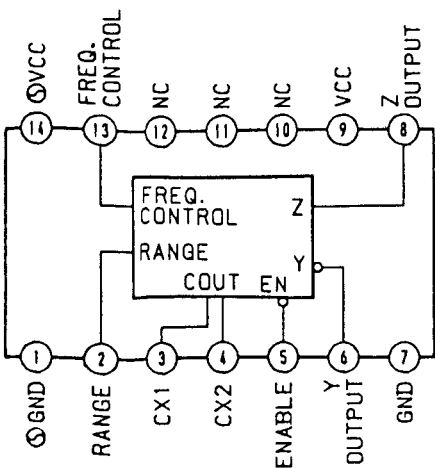
TC74HC393P



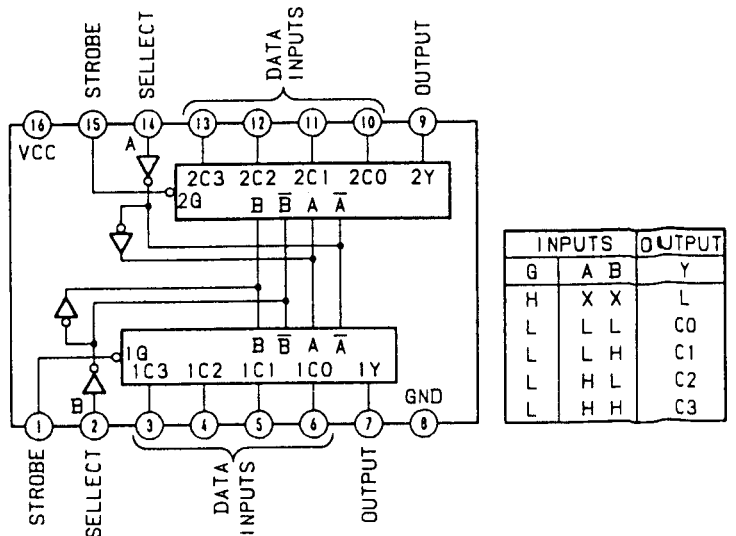
SN74HC139N



SN74LS624N



TC74HC153P



## SECTION 4 EXPLODED VIEWS

**NOTE:**

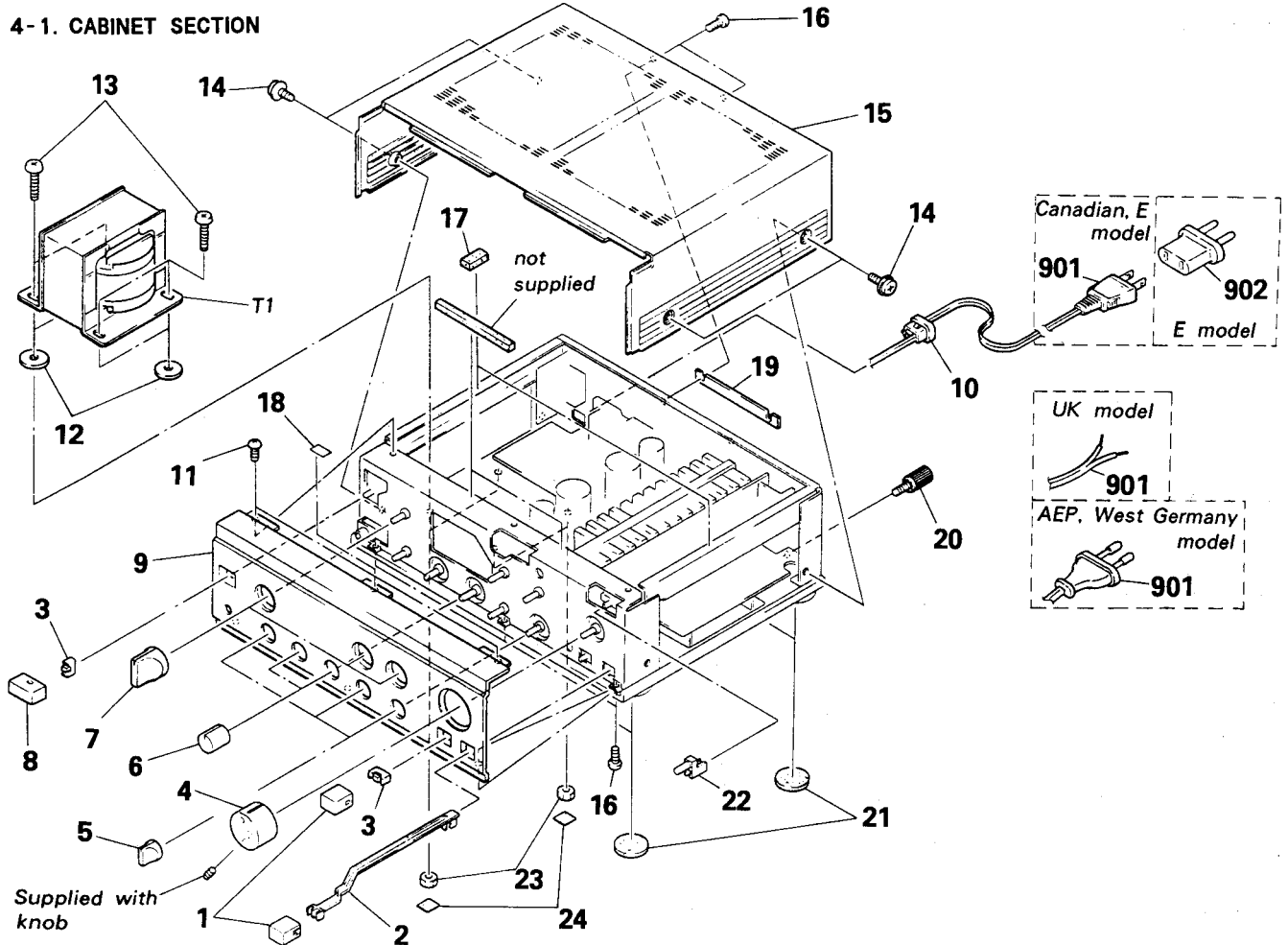
- The mechanical parts with no reference number in the exploded views are not supplied.
- The construction parts of an assembled part are indicated with a collation number in the remark column.
- Items marked "★" are not stocked since they are seldom required for routine service. Some delay should be anticipated when ordering these items.

- Due to standardization, parts with part number suffix -XX and -X may be different from the parts specified in the components used on the set.
- Color Indication of Appearance Parts  
Example:  
(RED) ... KNOB, BALANCE (WHITE)  
↑ Cabinet's Color                      ↑ Parts' Color
- WG : West Germany model

The components identified by mark or dotted line with mark are critical for safety. Replace only with part number specified.

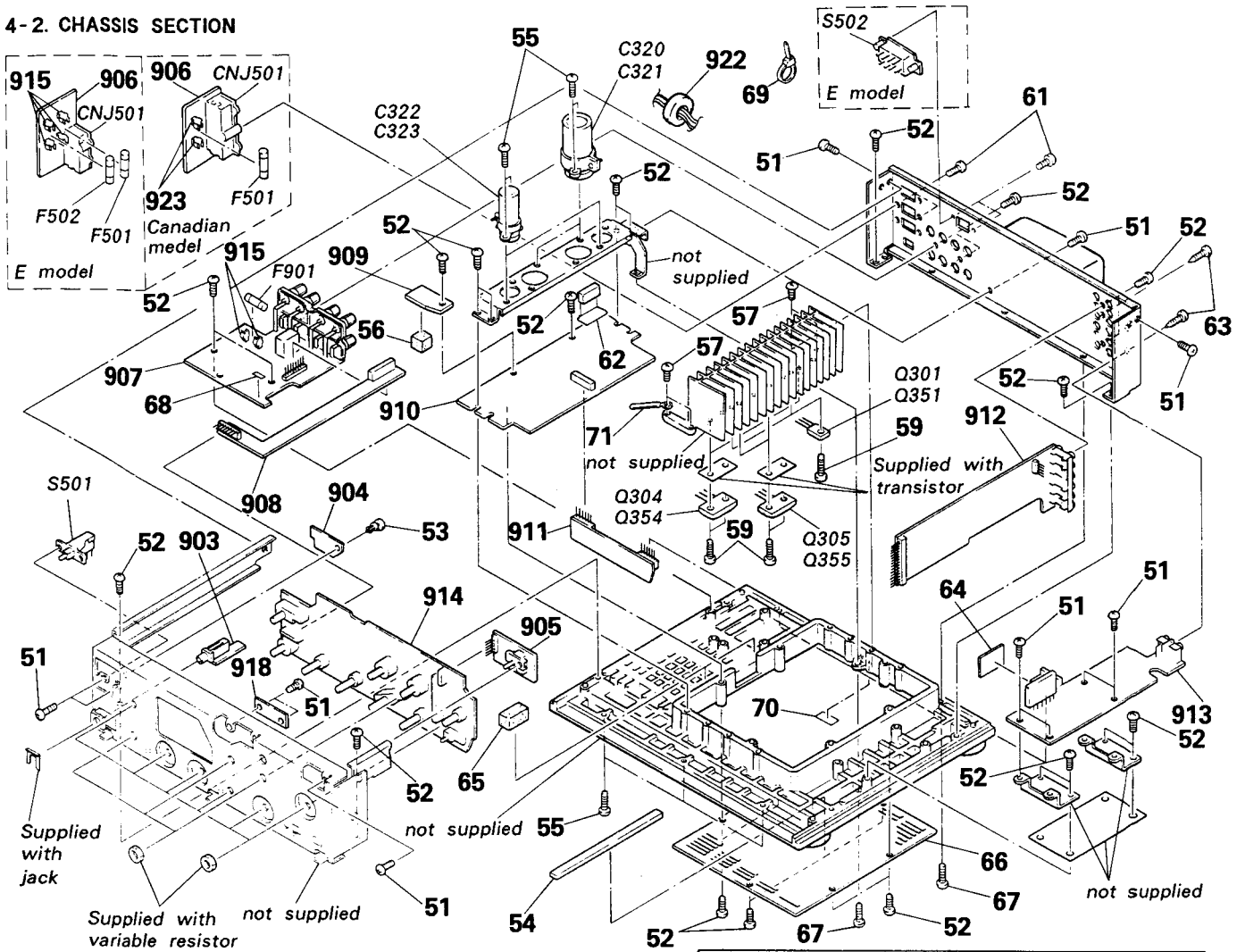
Les composants identifiés par une marque sont critiques pour la sécurité. Ne les remplacer que par une pièce portant le numéro spécifié.

**4-1. CABINET SECTION**



No.	Part No.	Description	Remarks	No.	Part No.	Description	Remarks
1	4-908-875-01	KNOB, SQUARE		16	7-685-873-09	SCREW +BVTT 3X10 (S)	
2	4-929-227-01	JOINT		17	*2-527-517-00	(UK)...CUSHION, CASE RETAINER	
3	4-864-307-00	RING		18	*3-846-067-21	(UK)...SPACER (C)	
4	4-929-224-01	KNOB (NA-48)		19	*4-929-232-01	SPACER	
5	4-916-745-01	KNOB (DIA.21)		20	3-706-165-00	SCREW	
6	4-916-746-11	KNOB (DIA. 21), ROUND		21	*4-923-850-01	FOOT (DIA. 46)	
7	4-916-729-01	KNOB (DIA.29)		22	4-923-879-01	BUTTON (DIA.4)	
8	4-908-866-01	KNOB, SQUARE		23	7-684-024-04	N 4, TYPE 2	
9	A-4317-986-A A-4317-987-A A-4323-064-A	(Canadian)...PANEL ASSY, FRONT (AEP,WG,UK)...PANEL ASSY, FRONT (E)...PANEL ASSY, FRONT		24	*4-929-266-01	CUSHION	
10	*3-703-244-00 3-703-571-11	(Canadian,AEP,WG,UK) ...BUSHING (2104), CORD (E)...BUSHING (S) (4516), CORD		901	1-574-381-11 1-551-478-00 1-574-805-11 1-574-804-11	(E)...CORD, POWER (Canadian)...CORD, POWER (AEP,WG)...CORD, POWER (UK)...CORD, POWER	
11	7-682-547-09	SCREW +BVTT 3X6 (S)		902	1-526-565-00	(E)...AC PLUG ADAPTOR	
12	4-885-984-21	(UK)...WASHER		T1	1-449-691-11 1-449-693-11	(Canadian)...TRANSFORMER, POWER (AEP)...TRANSFORMER, POWER	
13	7-682-566-09	SCREW +B 4X20		T1	1-449-694-11 1-449-695-11	(WG)...TRANSFORMER, POWER (E)...TRANSFORMER, POWER	
14	4-847-802-00	SCREW		T1	1-449-769-11	(UK)...TRANSFORMER, POWER	
15	4-916-737-01	CASE					

4-2. CHASSIS SECTION

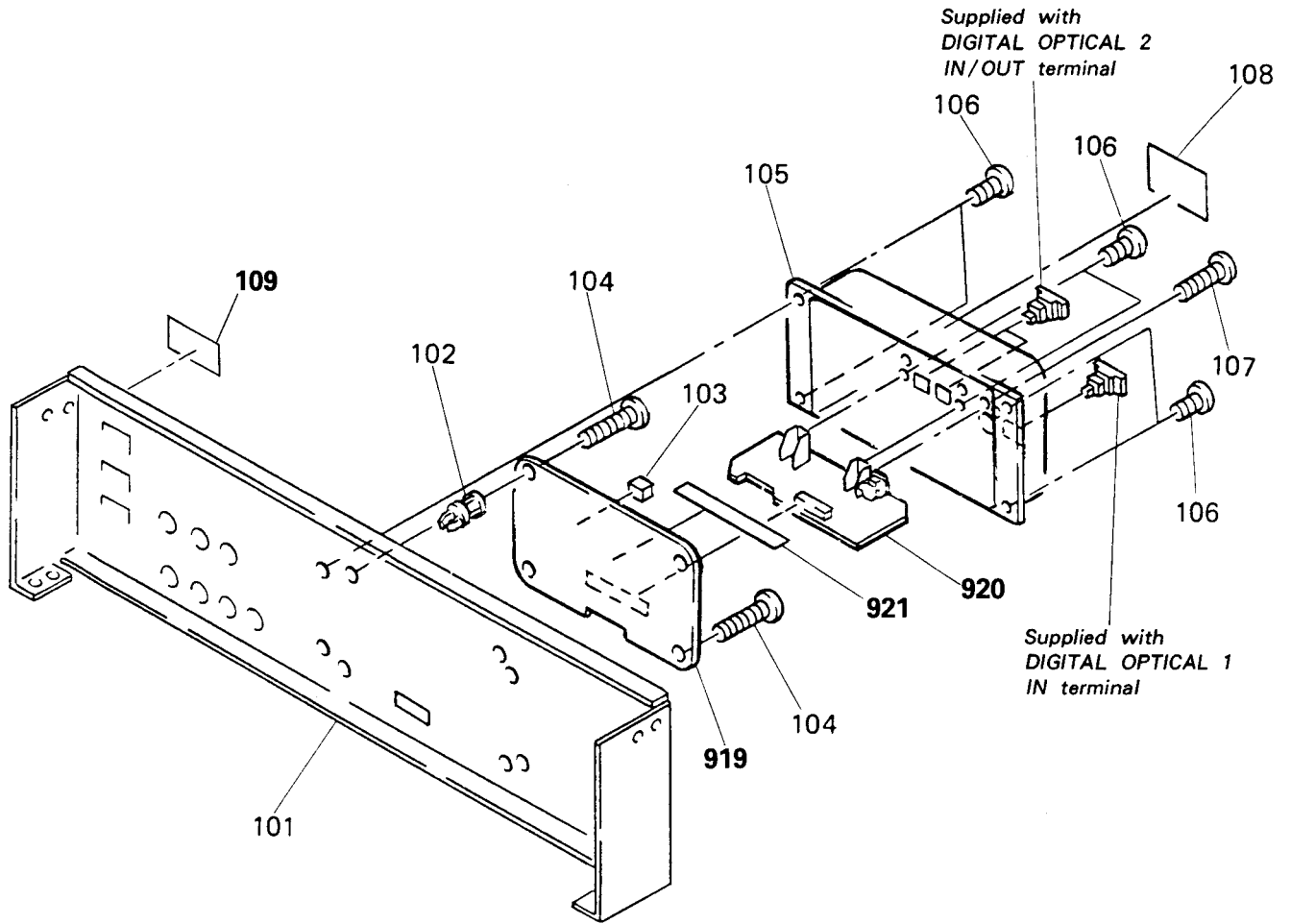


**Note:**  
The components identified by mark or dotted line with mark are critical for safety. Replace only with part number specified.

**Note:**  
Les composants identifiés par une marque sont critiques pour la sécurité. Ne les remplacer que par une pièce portant le numéro spécifié.

No.	Part No.	Description	Remarks	No.	Part No.	Description	Remarks
51	7-682-547-09	SCREW +BVTT 3X6 (S)		911	*1-629-750-11	PC BOARD, A/B JUMPER	
52	7-685-647-79	SCREW +BVTP 3X10 TYPE2 SLIT		912	*1-629-758-11	PC BOARD, PINJACK (L)	
53	4-812-134-00	RIVET NYLON, 3.5		913	*A-4333-336-A	(WG).....MOUNTED PCB, EQ	
54	*4-916-782-21	(UK)...DAMPER			*A-4333-341-A	(Canadian,AEP,E)...MOUNTED PCB, EQ	
55	7-685-873-09	SCREW +BVTT 3X10 (S)			*A-4333-726-A	(UK).....MOUNTED PCB, EQ	
56	*4-921-410-91	(UK)...CUSHION		914	*A-4410-898-A	(E).....MOUNTED PCB, SELECTOR	
57	7-685-650-79	SCREW +BVTP 3X16 TYPE2 SLIT			*A-4333-383-A	(AEP).....MOUNTED PCB, SELECTOR	
					*A-4333-905-A	(Canadian,WG,UK)...MOUNTED PCB, SELECTOR	
59	7-685-648-79	SCREW +BVTP 3X12 TYPE2 IT-3		915	1-533-183-11	HOLDER, FUSE	
61	7-685-534-19	SCREW +BTP 2.6X8 TYPE2 N-S		918	*1-629-752-11	PC BOARD, FS-LED	
62	*4-921-941-31	(UK)...CUSHION (FL)		922	1-543-648-11	(Canadian,WG)...8BEAD, FERRITE (FB)	
63	7-621-849-00	SCREW, TAPPING		923	1-533-190-11	(Canadian)...CLIP, FUSE	
64	*4-916-782-61	(UK)...DAMPER		C320	1-125-568-11	ELECT 12000MF	
65	*4-921-410-81	(UK)...CUSHION		C321	1-125-568-11	ELECT 12000MF	
66	*4-916-732-01	BOARD, BOTTOM		C322	1-125-569-11	ELECT 5600MF	
67	7-685-876-09	SCREW +BVTT 3X16 (S)		C323	1-125-569-11	ELECT 5600MF	
68	*3-701-948-20	LABEL (T4A), FUSE		CNJ50	1-540-041-21	(E)...OUTLET, AC (NONPOLAR) (2P) (AC OUTPUT)	
69	3-655-653-21	BAND (TAITON), BINDING		CNJ50	1-540-062-31	(Canadian)....OUTLET, AC (NONPOLAR) (AC OUTPUT)	
70	*3-703-079-21	(UK)...LABEL, CAUTION (BACK)		F501	1-532-350-00	(E).....FUSE, TIME-LAG 4A	
71	*4-908-882-01	(Canadian,WG)...CLAMP		F501	1-532-510-00	(Canadian)...FUSE, GLASS TUBE 8A	
903	*1-629-749-11	PC BOARD, HP		F502	1-532-350-00	(E)...FUSE, TIME-LAG 4A	
904	*1-629-751-11	PC BOARD, POWER LED		F901	1-532-350-00	(AEP,WG,UK)...FUSE, TIME-LAG 4A	
905	*1-629-747-11	PC BOARD, MUTING		Q301	8-729-203-45	TRANSISTOR 2SC3423	
906	*1-629-755-11	(Canadian,E)...PC BOARD, AC OUTLET		Q304	8-729-320-01	TRANSISTOR 2SA1215M	
907	*1-629-753-11	PC BOARD, SP TERMINAL		Q305	8-729-320-03	TRANSISTOR 2SC2921M	
908	*1-629-757-11	PC BOARD, SP JUMPER		Q351	8-729-203-45	TRANSISTOR 2SC3423	
909	*1-630-146-11	(UK)...PC BOARD, CLAMP		Q354	8-729-320-01	TRANSISTOR 2SA1215M	
910	*A-4333-731-A	(UK).....MOUNTED PCB, MAIN		Q355	8-729-320-03	TRANSISTOR 2SC2921M	
	*A-4333-734-A	(Canadian,AEP)...MOUNTED PCB, MAIN		S501	1-554-920-31	SWITCH, PUSH (AC POWER)(1 KEY)(POWER)	
	*A-4333-729-A	(E,WG).....MOUNTED PCB, MAIN		S502	1-570-307-11	(E)...SWITCH, VOLTAGE CHANGE (VOLTAGE SELECTOR)	

4-3. D/A CONVERTER SECTION



No.	Part No.	Description	Remarks	No.	Part No.	Description	Remarks
101	*4-929-239-03	(Canadian)...PANEL, BACK		108	*4-929-275-01	(Canadian)...LABEL, MODEL NUMBER	
	*4-929-239-21	(AEP,WG,UK)...PANEL, BACK			*4-929-277-01	(WG).....LABEL, MODEL NUMBER	
	*4-929-281-01	(E).....PANEL, BACK			*4-929-278-01	(UK).....LABEL, MODEL NUMBER	
102	*4-884-992-00	SUPPORT, PC			*4-929-279-01	(E).....LABEL, MODEL NUMBER	
103	*4-929-244-01	(UK)...CUSHION			*4-929-907-01	(AEP).....LABEL, MODEL NUMBER	
104	7-685-650-79	SCREW +BVTP 3X16 TYPE2 N-S		919	*A-4333-387-A	(WG).....MOUNTED PCB, DAS	
105	*4-929-238-01	CASE, SHIELD			*A-4333-755-A	(Canadian,E,AEP)...MOUNTED PCB, DAS	
106	7-682-547-09	SCREW +BVTT 3X6 (S)			*A-4410-909-A	(UK).....MOUNTED PCB, DAS	
107	7-621-849-00	SCREW, TAPPING		920	*1-629-760-11	PC BOARD, DAS INPUT	
				921	*1-560-242-21	BUS BAR 4P	

## SECTION 4

### ELECTRICAL PARTS LIST

**NOTE:**

- Due to standardization, replacements in the parts list may be different from the parts specified in the diagrams or the components used on the set.
- Items marked "★" are not stocked since they are seldom required for routine service. Some delay should be anticipated when ordering these items.
- If there are two or more same circuits in a set such as a stereophonic machine, only typical circuit parts may be indicated and capacitors and resistors in other same circuits may be omitted.

**CAPACITORS:**  
MF:  $\mu$ F, PF:  $\mu$ MF.

**RESISTORS**

- All resistors are in ohms.
- F: nonflammable

**COILS**

- MMH: mH, UH:  $\mu$ H

**SEMICONDUCTORS**

In each case, U:  $\mu$ , for example:

UA...:  $\mu$ A..., UPA...:  $\mu$ PA...,

UPC...:  $\mu$ PC, UPD...:  $\mu$ PD...

- WG: West Germany model

The components identified by mark  $\Delta$  or dotted line with mark  $\Delta$  are critical for safety. Replace only with part number specified.

Les composants identifiés par une marque  $\Delta$  sont critiques pour la sécurité. Ne les remplacer que par une pièce portant le numéro spécifié.

Ref.No.	Part No.	Description	Ref.No.	Part No.	Description
901	$\Delta$ 1-551-478-00 $\Delta$ 1-574-381-11 $\Delta$ 1-574-804-11 $\Delta$ 1-574-805-11	(Canadian)...CORD, POWER (E).....CORD, POWER (UK).....CORD, POWER (AEP,WG).....CORD, POWER	C152	1-162-284-31	(Canadian,WG)... ...CERAMIC 150PF 10% 50V
902	$\Delta$ 1-526-565-00	(E)...AC PLUG ADAPTOR	C153	1-162-284-31	(Canadian,WG)... ...CERAMIC 150PF 10% 50V
903	*1-629-749-11	PC BOARD, HP	C154	1-162-284-31	(Canadian,WG)... ...CERAMIC 150PF 10% 50V
904	*1-629-751-11	PC BOARD, POWER LED	C158	1-162-284-31	(Canadian,WG)... ...CERAMIC 150PF 10% 50V
905	*1-629-747-11	PC BOARD, MUTING	C159	1-162-284-31	(Canadian,WG)... ...CERAMIC 150PF 10% 50V
906	*1-629-755-11	(Canadian,E).....PC BOARD, AC OUTLET	C201	1-130-471-00	MYLAR 0.001MF 5% 50V
907	*1-629-753-11	PC BOARD, SP TERMINAL	C202	1-130-478-00	MYLAR 0.0039MF 5% 50V
908	*1-629-757-11	PC BOARD, SP JUMPER	C203	1-130-479-00	MYLAR 0.0047MF 5% 50V
909	*1-630-146-11	(UK)...PC BOARD, CLAMP	C204	1-136-159-00	FILM 0.033MF 5% 50V
910	*A-4333-729-A *A-4333-731-A *A-4333-734-A	(E,WG).....MOUNTED PCB, MAIN (UK).....MOUNTED PCB, MAIN (Canadian,AEP)...MOUNTED PCB, MAIN	C205	1-123-369-00	ELECT 4.7MF 20% 50V
911	*1-629-750-11	PC BOARD, A/B JUMPER	C206	1-123-380-00	ELECT 1MF 20% 63V
912	*1-629-758-11	PC BOARD, PINJACK (L)	C207	1-124-918-11	ELECT 47MF 20% 63V
913	*A-4333-336-A *A-4333-341-A *A-4333-726-A	(WG).....MOUNTED PCB, EQ (Canadian,AEP,E)...MOUNTED PCB, EQ (UK).....MOUNTED PCB, EQ	C209	1-124-472-11	ELECT 470MF 20% 6.3V
914	*A-4410-898-A *A-4333-383-A *A-4333-905-A	(E).....MOUNTED PCB, SELECTOR (AEP).....MOUNTED PCB, SELECTOR (Canadian,WG,UK)...MOUNTED PCB, SELECTOR	C251	1-130-471-00	MYLAR 0.001MF 5% 50V
915	1-533-183-11	HOLDER, FUSE	C252	1-130-478-00	MYLAR 0.0039MF 5% 50V
918	*1-629-752-11	PC BOARD, FS-LED	C253	1-130-479-00	MYLAR 0.0047MF 5% 50V
919	*A-4333-387-A *A-4333-755-A *A-4410-909-A	(WG).....MOUNTED PCB, DAS (Canadian,E,AEP)...MOUNTED PCB, DAS (UK).....MOUNTED PCB, DAS	C254	1-136-159-00	FILM 0.033MF 5% 50V
920	*1-629-760-11	PC BOARD, DAS INPUT	C302	1-123-369-00	(WG)...ELECT 4.7MF 20% 50V
921	*1-560-242-21	BUS BAR 4P	C303	1-101-888-00	(Canadian,AEP,E,WG) ...CERAMIC 68PF 5% 50V
922	1-543-648-11	(Canadian,WG)...BEAD, FERRITE (FB)	C303	1-104-276-11	(UK)...STYROL 68PF 10% 50V
923	1-533-190-11	(Canadian)...CLIP, FUSE	C304	1-123-360-00	(Canadian,AEP,E,WG) ...ELECT 100MF 20% 50V
C101	1-162-284-31	(Canadian,WG)... ...CERAMIC 150PF 10% 50V	C304	1-126-052-11	(UK)...ELECT 100MF 20% 50V
C102	1-162-284-31	(Canadian,WG)... ...CERAMIC 150PF 10% 50V	C305	1-102-936-00	(Canadian,AEP,E,WG) ...CERAMIC 3PF 0.5PF 50V
C103	1-162-284-31	(Canadian,WG)... ...CERAMIC 150PF 10% 50V	C305	1-107-276-11	(UK)...MICA 3PF 0.5PF 500V
C104	1-162-284-31	(Canadian,WG)... ...CERAMIC 150PF 10% 50V	C306	1-123-369-00	ELECT 4.7MF 20% 63V
C108	1-162-284-31	(Canadian,WG)... ...CERAMIC 150PF 10% 50V	C307	1-123-369-00	ELECT 4.7MF 20% 63V
C109	1-162-284-31	(Canadian,WG)... ...CERAMIC 150PF 10% 50V	C308	1-102-951-00	(Canadian,AEP,E,WG) ...CERAMIC 15PF 5% 50V
C151	1-162-284-31	(Canadian,WG)... ...CERAMIC 150PF 10% 50V	C308	1-104-263-11	(UK)...STYROL 15PF 10% 50V
			C309	1-123-359-00	(Canadian,AEP,E,WG) ...ELECT 47MF 20% 50V
			C309	1-124-910-11	(UK)...ELECT 47MF 20% 50V
			C310	1-102-963-00	(Canadian,AEP,E,WG) ...CERAMIC 33PF 5% 50V
			C310	1-107-159-00	(UK)...MICA 33PF 5% 500V
			C311	1-102-963-00	(Canadian,AEP,E,WG) ...CERAMIC 33PF 5% 50V
			C311	1-107-159-00	(UK)...MICA 33PF 5% 500V

# TA-F303ESD/F630ESD

Ref.No.	Part No.	Description				
C312	1-130-487-00	MYLAR	0.022MF	5%	50V	
C313	1-130-471-00	MYLAR	0.001MF	5%	50V	
C314	1-123-333-00	ELECT	100MF	20%	25V	
C315	1-130-487-00	MYLAR	0.022MF	5%	50V	
C317	1-123-333-00	ELECT	100MF	20%	25V	
C318	1-123-604-00	ELECT	220MF	20%	63V	
C319	1-123-379-00	ELECT	0.47MF	20%	100V	
C320	1-125-568-11	ELECT	12000MF			
C321	1-125-568-11	ELECT	12000MF			
C322	1-125-569-11	ELECT	5600MF			
C323	1-125-569-11	ELECT	5600MF			
C324	1-136-601-11	(Canadian,AEP,E,WG) ...FILM	0.01MF	10%	630V	
C324	1-136-880-11	(UK)...FILM	2.2MF	10%	160V	
C326	1-136-165-00	FILM	0.1MF	5%	50V	
C327	1-136-165-00	FILM	0.1MF	5%	50V	
C328	1-124-523-11	ELECT	4700MF	20%	16V	
C329	1-126-103-11	ELECT	470MF	20%	16V	
C330	1-162-282-31	(WG)...CERAMIC	100PF	5%	50V	
C331	1-102-973-00	(Canadian,AEP,E,WG) ...CERAMIC	100PF	5%	50V	
C331	1-136-808-11	(UK)...FILM	100PF	5%	100V	
C333	1-161-379-00	(WG)...CERAMIC	0.01MF	30%	25V	
C352	1-123-369-00	(WG)...ELECT	4.7MF	20%	50V	
C353	1-101-888-00	(Canadian,AEP,E,WG) ...CERAMIC	68PF	5%	50V	
C353	1-104-276-11	(UK)...STYROL	68PF	10%	50V	
C354	1-123-360-00	(Canadian,AEP,E,WG) ...ELECT	100MF	20%	50V	
C354	1-126-052-11	(UK)...ELECT	100MF	20%	50V	
C355	1-102-936-00	(Canadian,AEP,E,WG) ...CERAMIC	3PF	0.5PF	50V	
C355	1-107-276-11	(UK)...MICA	3PF	0.5PF	500V	
C358	1-102-951-00	(Canadian,AEP,E,WG) ...CERAMIC	15PF	5%	50V	
C358	1-104-263-11	(UK)...STYROL	15PF	10%	50V	
C359	1-123-359-00	(Canadian,AEP,E,WG) ...ELECT	47MF	20%	50V	
C359	1-124-910-11	(UK)...ELECT	47MF	20%	50V	
C360	1-102-963-00	(Canadian,AEP,E,WG) ...CERAMIC	33PF	5%	50V	
C360	1-107-159-00	(UK)...MICA	33PF	5%	500V	
C361	1-102-963-00	(Canadian,AEP,E,WG) ...CERAMIC	33PF	5%	50V	
C361	1-107-159-00	(UK)...MICA	33PF	5%	500V	
C362	1-130-487-00	MYLAR	0.022MF	5%	50V	
C380	1-162-282-31	(WG)...CERAMIC	100PF	5%	50V	
C381	1-102-973-00	(Canadian,AEP,E,WG) ...CERAMIC	100PF	5%	50V	
C381	1-136-808-11	(UK)...FILM	100PF	5%	100V	
C401	1-101-361-00	(Canadian,AEP,E) ...CERAMIC	150PF	5%	50V	
C401	1-102-973-00	(WG)...CERAMIC	100PF	5%	50V	
C401	1-104-282-91	(UK)...STYROL	150PF	5%	50V	
C402	1-123-369-00	(Canadian,AEP,E,WG) ...ELECT	4.7MF	20%	50V	

Ref.No.	Part No.	Description				
C403	1-126-103-11	ELECT	470MF	20%	10V	
C404	1-130-341-00	(UK)...FILM	0.056MF	3%	100V	
C404	1-136-162-00	(Canadian,AEP,E,WG) ...FILM	0.056MF	5%	50V	
C405	1-130-971-00	(UK)...FILM	0.016MF	3%	100V	
C405	1-136-032-51	(Canadian,AEP,E,WG) ...FILM	0.016MF	5%	50V	
C406	1-123-333-00	ELECT	100MF	20%	16V	
C407	1-130-479-00	MYLAR	0.0047MF	5%	50V	
C408	1-123-356-00	(Canadian,AEP,E,WG) ...ELECT	10MF	20%	50V	
C408	1-126-059-11	(UK)...ELECT	10PF	20%	50V	
C409	1-123-359-00	(Canadian,AEP,E,WG) ...ELECT	47MF	20%	50V	
C409	1-124-910-11	(UK)...ELECT	47PF	20%	50V	
C410	1-123-359-00	(Canadian,AEP,E,WG) ...ELECT	47MF	20%	50V	
C410	1-124-910-11	(UK)...ELECT	47PF	20%	50V	
C411	1-123-380-00	ELECT	1MF	20%	50V	
C412	1-123-380-00	ELECT	1MF	20%	50V	
C413	1-126-103-11	ELECT	470MF	20%	16V	
C414	1-126-103-11	ELECT	470MF	20%	16V	
C430	1-102-816-00	(WG)...CERAMIC	120PF	5%	50V	
C431	1-102-816-00	(WG)...CERAMIC	120PF	5%	50V	
C451	1-101-361-00	(Canadian,AEP,E) ...CERAMIC	150PF	5%	50V	
C451	1-102-973-00	(WG)...CERAMIC	100PF	5%	50V	
C451	1-104-282-91	(UK)...STYROL	150PF	5%	50V	
C452	1-123-369-00	(Canadian,AEP,E,WG) ...ELECT	4.7MF	20%	50V	
C453	1-124-472-11	ELECT	470MF	20%	10V	
C454	1-136-162-00	(Canadian,AEP,E,WG) ...FILM	0.056MF	5%	50V	
C454	1-130-341-00	(UK)...FILM	0.056MF	3%	100V	
C455	1-136-032-51	(Canadian,AEP,E,WG) ...FILM	0.016MF	5%	50V	
C455	1-130-971-00	(UK)...FILM	0.016MF	3%	100V	
C457	1-130-479-00	MYLAR	0.0047MF	5%	50V	
C458	1-123-356-00	(Canadian,AEP,E,WG) ...ELECT	10MF	20%	50V	
C458	1-126-054-11	(UK)...ELECT	10MF	20%	50V	
C480	1-102-816-00	(WG)...CERAMIC	120PF	5%	50V	
C481	1-162-282-31	(WG)...CERAMIC	100PF	5%	50V	
C501	△ 1-161-744-00	(Canadian,E) ...CERAMIC	0.01MF		400V	
C601	1-136-165-00	FILM	0.1MF	5%	50V	
C606	1-123-381-00	ELECT	2.2MF	20%	50V	
C607	1-162-207-31	CERAMIC	22PF	5%	50V	
C608	1-162-207-31	CERAMIC	22PF	5%	50V	
C609	1-136-165-00	FILM	0.1MF	5%	50V	
C610	1-136-165-00	FILM	0.1MF	5%	50V	
C611	1-136-746-11	(Canadian,AEP,E,WG) ...FILM	1MF	5%	50V	
C611	1-136-921-11	(UK)...FILM	1MF	5%	50V	

**Note:**  
The components identified by mark **△** or dotted line with mark **△** are critical for safety. Replace only with part number specified.

**Note:**  
Les composants identifiés par une marque **△** sont critiques pour la sécurité. Ne les remplacer que par une pièce portant le numéro spécifié.

Ref.No.	Part No.	Description							
C612	1-136-165-00	FILM	0.1MF	5%	50V				
C613	1-136-155-00	FILM	0.015MF	5%	50V				
C614	1-130-477-00	MYLAR	0.0033MF	5%	50V				
C615	1-136-165-00	FILM	0.1MF	5%	50V				
C616	1-136-165-00	FILM	0.1MF	5%	50V				
C617	1-162-217-31	CERAMIC	56PF	5%	50V				
C618	1-162-284-31	CERAMIC	150PF	10%	50V				
C619	1-136-165-00	FILM	0.1MF	5%	50V				
C620	1-136-165-00	FILM	0.1MF	5%	50V				
C621	1-136-165-00	FILM	0.1MF	5%	50V				
C622	1-136-165-00	FILM	0.1MF	5%	50V				
C624	1-126-103-11	ELECT	470MF	20%	16V				
C625	1-126-103-11	ELECT	470MF	20%	16V				
C626	1-126-103-11	ELECT	470MF	20%	16V				
C627	1-126-163-11	ELECT	4.7MF	20%	50V				
C628	1-162-294-31	CERAMIC	0.001MF	10%	50V				
C629	1-126-059-11	ELECT	10MF	20%	50V				
C630	1-123-334-00	ELECT	220MF	20%	25V				
C631	1-123-334-00	ELECT	220MF	20%	25V				
C632	1-126-059-11	ELECT	10MF	20%	50V				
C633	1-161-379-00	CERAMIC	0.01MF	30%	16V				
C634	1-161-379-00	CERAMIC	0.01MF	30%	16V				
C640	1-136-165-00	FILM	0.1MF	5%	50V				
C651	1-130-481-00	MYLAR	0.0068MF	5%	50V				
C652	1-123-306-00	ELECT	47MF	20%	10V				
C653	1-136-165-00	FILM	0.1MF	5%	50V				
C701	1-102-820-00	(Canadian,AEP,WG,E) ...CERAMIC	330PF	5%	50V				
C701	1-136-811-11	(UK)...FILM	330PF	5%	100V				
C702	1-124-915-11	ELECT	10MF	20%	63V				
C703	1-136-153-00	FILM	0.01MF	5%	50V				
C704	1-123-381-00	ELECT	2.2MF	20%	63V				
C705	1-102-973-00	(Canadian,AEP,WG,E) ...CERAMIC	100PF	5%	50V				
C705	1-136-808-11	(UK)...FILM	100PF	5%	100V				
C706	1-102-074-00	(Canadian,AEP,WG,E) ...CERAMIC	0.001MF	10%	50V				
C706	1-136-814-11	(UK)...FILM	0.001MF	5%	100V				
C707	1-102-074-00	(Canadian,AEP,WG,E) ...CERAMIC	0.001MF	10%	50V				
C707	1-136-814-11	(UK)...FILM	0.001MF	5%	100V				
C708	1-102-116-00	(Canadian,AEP,WG,E) ...CERAMIC	680PF	10%	50V				
C708	1-136-813-11	(UK)...FILM	680PF	5%	100V				
C709	1-136-153-00	FILM	0.01MF	5%	50V				
C710	1-123-332-00	ELECT	47MF	20%	25V				
C712	1-126-059-11	ELECT	10MF	20%	50V				
C713	1-107-026-00	MICA	5PF	0.5PF	500V				
C715	1-136-171-00	FILM	0.33MF	5%	50V				
C717	1-102-121-00	(WG)...CERAMIC	0.0022MF	10%	50V				
C718	1-102-121-00	(WG)...CERAMIC	0.0022MF	10%	50V				
C751	1-102-820-00	(Canadian,AEP,WG,E) ...CERAMIC	330PF	5%	50V				
C751	1-136-811-11	(UK)...FILM	330PF	5%	100V				
C752	1-124-915-11	ELECT	10MF	20%	63V				
C754	1-126-335-11	ELECT	220MF	20%	10V				
C755	1-102-973-00	(Canadian,AEP,WG,E) ...CERAMIC	100PF	5%	50V				
C755	1-136-808-11	(UK)...FILM	100PF	5%	100V				
C756	1-102-074-00	(Canadian,AEP,WG,E) ...CERAMIC	0.001MF	10%	50V				
C756	1-136-814-11	(UK)...FILM	0.001MF	5%	100V				
C757	1-102-074-00	(Canadian,AEP,WG,E) ...CERAMIC	0.001MF	10%	50V				
C757	1-136-814-11	(UK)...FILM	0.001MF	5%	100V				
C758	1-102-116-00	(Canadian,AEP,WG,E) ...CERAMIC	680PF	10%	50V				
C758	1-136-813-11	(UK)...FILM	680PF	5%	100V				
C759	1-136-153-00	FILM	0.01MF	5%	50V				
C760	1-123-332-00	ELECT	47MF	20%	25V				
C762	1-126-059-11	ELECT	10MF	20%	50V				
C763	1-107-026-00	MICA	5PF	0.5PF	500V				
C801	1-136-165-00	FILM	0.1MF	5%	50V				
C802	1-123-356-00	(Canadian,AEP,WG,E) ...ELECT	10MF	20%	50V				
C802	1-126-059-11	(UK)...ELECT	10MF	20%	50V				
C803	1-136-165-00	FILM	0.1MF	5%	50V				
C804	1-136-165-00	FILM	0.1MF	5%	50V				
C805	1-126-335-11	ELECT	220MF	20%	10V				
C806	1-123-380-00	ELECT	1MF	20%	50V				
C807	1-124-234-00	ELECT	22MF	20%	16V				
C808	1-136-153-00	FILM	0.01MF	5%	50V				
C809	1-164-159-11	CERAMIC	0.1MF		50V				
C810	1-164-159-11	CERAMIC	0.1MF		50V				
C901	1-161-744-00	(AEP,WG,UK)...CERAMIC	0.01MF		400V				
C902	1-136-153-00	(WG)...FILM	0.01MF	5%	50V				
C903	1-136-153-00	(WG)...FILM	0.01MF	5%	50V				
C904	1-102-978-00	(Canadian,WG) ...CERAMIC	220PF	5%	50V				
C906	1-162-286-31	(Canadian,WG) ...CERAMIC	220PF	10%	50V				
C910	1-102-978-00	(Canadian,WG) ...CERAMIC	220PF	5%	50V				
C911	1-102-978-00	(Canadian,WG) ...CERAMIC	220PF	5%	50V				
C912	1-102-978-00	(Canadian,WG) ...CERAMIC	220PF	5%	50V				
C913	1-102-978-00	(Canadian,WG) ...CERAMIC	220PF	5%	50V				
C954	1-102-978-00	(Canadian,WG) ...CERAMIC	220PF	5%	50V				
C952	1-136-153-00	(WG)...FILM	0.01MF	5%	50V				
C953	1-136-153-00	(WG)...FILM	0.01MF	5%	50V				
CN1	*1-561-651-00	SOCKET, CONNECTOR 7P							
CN2	*1-561-651-00	SOCKET, CONNECTOR 7P							
CN3	1-568-118-11	SOCKET, CONNECTOR 16P							
CN4	*1-562-334-00	SOCKET, CONNECTOR 10P							
CN5	*1-561-651-00	SOCKET, CONNECTOR 7P							
CN6	1-568-203-11	PIN, CONNECTOR (PC BOARD) 11P							
CN7	1-568-203-11	PIN, CONNECTOR (PC BOARD) 11P							
CN8	*1-563-381-11	SOCKET, CONNECTOR 11P							
CN9	*1-566-451-11	HOUSING, CONNECTOR 3P							
CN10	*1-563-381-11	SOCKET, CONNECTOR 11P							
CN11	1-568-117-11	SOCKET, CONNECTOR 14P							

# TA-F303ESD/F630ESD

Ref.No.	Part No.	Description
CNJ501	1-540-041-21	(E)...OUTLET, AC (NONPOLAR) (2P) (AC OUTPUT)
CNJ501A	1-540-062-31	(Canadian)...OUTLET, AC (NONPOLAR) (2P) (AC OUTPUT)
CNJ801	1-568-249-11	JACK, PIN 1P (DIGITAL IN COAXIAL)
CNJ802	*1-565-484-11	CONNECTOR, BOARD TO BOARD 8P
CNP601	*1-564-340-00	PIN, CONNECTOR 6P
CNP602	*1-564-340-61	PIN, CONNECTOR 6P
CNP603	*1-564-337-71	PIN, CONNECTOR 3P
CNP604	*1-508-694-00	CONNECTOR PIN 8P
CNP701	*1-564-337-00	PIN, CONNECTOR 3P
CP1	*1-560-532-00	PIN, CONNECTOR 7P
CP2	*1-560-532-00	PIN, CONNECTOR 7P
CP3	*1-560-532-00	PIN, CONNECTOR 7P
CP4	*1-568-202-11	PIN, CONNECTOR (PC BOARD) 10P
CP5	1-568-120-11	PIN, CONNECTOR (PC BOARD) 7P
CP6	1-568-120-11	PIN, CONNECTOR (PC BOARD) 7P
CP7	*1-568-204-11	PIN, CONNECTOR (PC BOARD) 16P
D201	8-719-000-26	DIODE US1060M
D202	8-719-000-26	DIODE US1060M
D203	8-719-303-00	DIODE SEL2510C
D204	8-719-303-00	DIODE SEL2510C
D205	8-719-303-00	DIODE SEL2510C
D206	8-719-300-82	DIODE SEL2213C
D207	8-719-300-82	DIODE SEL2213C
D208	8-719-301-52	DIODE SEL2810A
D209	8-719-301-52	DIODE SEL2810A
D210	8-719-301-52	DIODE SEL2810A
D211	8-719-301-52	DIODE SEL2810A
D212	8-719-303-00	DIODE SEL2510C
D213	8-719-303-00	DIODE SEL2510C
D214	8-719-303-00	DIODE SEL2510C
D215	8-719-000-26	DIODE US1060M
D216	8-719-000-26	DIODE US1060M
D301	8-719-230-02	DIODE 30DF2
D302	8-719-230-02	DIODE 30DF2
D303	8-719-230-02	DIODE 30DF2
D304	8-719-230-02	DIODE 30DF2
D305	8-719-200-77	DIODE 10E2N
D306	8-719-200-77	DIODE 10E2N
D307	8-719-200-77	DIODE 10E2N
D308	8-719-200-77	DIODE 10E2N
D309	8-719-200-77	DIODE 10E2N
D310	8-719-200-77	DIODE 10E2N
D311	8-719-200-77	DIODE 10E2N
D312	8-719-000-26	DIODE US1060M
D313	8-719-000-26	DIODE US1060M
D314	8-719-000-26	DIODE US1060M
D315	8-719-200-77	DIODE 10E2N
D316	8-719-200-77	DIODE 10E2N
D317	8-719-200-77	DIODE 10E2N
D318	8-719-200-77	DIODE 10E2N
D319	8-719-000-26	DIODE US1060M
D362	8-719-000-26	DIODE US1060M
D363	8-719-000-26	DIODE US1060M
D364	8-719-000-26	DIODE US1060M
D401	8-719-933-47	DIODE HZS7B2L
D402	8-719-001-97	DIODE UZL-16L
D403	8-719-001-97	DIODE UZL-16L
D604	8-719-000-26	DIODE US1060M

Ref.No.	Part No.	Description
D605	8-719-903-27	DIODE 1SS168
D606	8-719-000-26	DIODE US1060M
D607	8-719-000-26	DIODE US1060M
D609	8-719-903-27	DIODE 1SS168
D610	8-719-000-26	DIODE US1060M
D611	8-719-000-26	DIODE US1060M
EH2	*1-564-508-11	PLUG, CONNECTOR 5P
EH3	*1-564-508-11	PLUG, CONNECTOR 5P
F501	1-532-350-00	(E).....FUSE, TIME-LAG 4A
F501A	1-532-510-00	(Canadian)...FUSE, GLASS TUBE 8A
F502	1-532-350-00	(E)...FUSE, TIME-LAG 4A
F901	1-532-350-00	(AEP,WG,UK)...FUSE, TIME-LAG 4A
IC301	8-749-920-70	IC STK3102-3
IC302	8-759-111-68	IC UPC1237HA
IC401	8-759-981-96	IC RC4560D
IC601	8-759-973-98	IC YM3623B
IC602	8-759-202-11	IC TC74HC00P
IC603	8-759-978-53	IC CXD8003S
IC604	8-759-250-81	IC TC5081AP
IC605	8-759-203-40	IC TC74HC393P
IC606	8-759-906-24	IC SN74LS624N
IC607	8-759-202-89	IC TC74HC139P
IC608	8-719-902-56	DIODE PC817
IC609	8-759-202-11	IC TC74HC00P
IC610	8-759-631-40	IC M5294P
IC701	8-759-980-13	IC SAA7320
IC703	8-759-982-03	IC RC5532DD
IC801	8-759-977-72	IC GP1F31R (DIGITAL OPTICAL 1 IN)
IC802	8-759-977-72	IC GP1F31R (DIGITAL OPTICAL 2 IN)
IC803	8-759-977-71	IC GP1F31T (DIGITAL OPTICAL 2 REC OUT)
IC804	8-759-202-13	IC TC74HC04P
IC805	8-759-202-93	IC TC74HC153P
IC806	8-759-604-84	(UK)...IC M5F7806
J101	1-565-320-41	JACK, PIN 6P (TUNER/CD/TAPE1 REC OUT)
J102	1-565-320-51	JACK, PIN 6P(TAPE1 IN/TAPE2 REC OUT,IN)
J104	1-568-250-11	JACK, PIN 2P (PHONO)
J501	1-507-863-51	JACK, LARGE TYPE (HEADPHONES)
JR601	1-535-731-21	LEAD, JUMPER (OFC)
JR602	1-535-731-21	LEAD, JUMPER (OFC)
L301	*1-420-872-00	COIL, AIR CORE
L351	*1-420-872-00	COIL, AIR CORE
L401	1-413-101-00	(WG)...COIL, INPUT
L402	1-413-101-00	(WG)...COIL, INPUT
L451	1-413-101-00	(WG)...COIL, INPUT
L452	1-413-101-00	(WG)...COIL, INPUT
L601	1-410-396-41	FERRITE BEAD INDUCTOR
L602	1-410-396-41	FERRITE BEAD INDUCTOR
L603	1-410-324-11	INDUCTOR 4.7UH
L604	1-410-324-11	INDUCTOR 4.7UH
L605	1-410-324-11	INDUCTOR 4.7UH
L606	1-410-324-11	INDUCTOR 4.7UH
L607	1-410-324-11	INDUCTOR 4.7UH
L701	1-410-324-11	INDUCTOR 4.7UH
L801	1-410-324-11	INDUCTOR 4.7UH
L802	1-410-324-11	INDUCTOR 4.7UH

**Note:**  
The components identified by mark  $\Delta$  or dotted line with mark  $\Delta$  are critical for safety. Replace only with part number specified.

**Note:**  
Les composants identifiés par une marque  $\Delta$  sont critiques pour la sécurité. Ne les remplacer que par une pièce portant le numéro spécifié.



Ref.No.	Part No.	Description
Q201	8-729-117-42	TRANSISTOR 2SD774-3
Q202	8-729-194-57	TRANSISTOR 2SC945P
Q203	8-729-173-36	TRANSISTOR 2SA733Q
Q204	8-729-173-36	TRANSISTOR 2SA733Q
Q205	8-729-107-98	TRANSISTOR 2SC3622A-L
Q255	8-729-107-98	TRANSISTOR 2SC3622A-L
Q301	8-729-203-45	TRANSISTOR 2SC3423
Q302	8-729-127-53	TRANSISTOR 2SC2275P
Q303	8-729-190-53	TRANSISTOR 2SA985A
Q304	8-729-320-03	TRANSISTOR 2SC292 1M-0
Q305	8-729-320-01	TRANSISTOR 2SA12 15M-0
Q306	8-729-108-14	TRANSISTOR 2SA988F
Q351	8-729-203-45	TRANSISTOR 2SC3423
Q352	8-729-127-53	TRANSISTOR 2SC2275P
Q353	8-729-190-53	TRANSISTOR 2SA985A
Q354	8-729-320-03	TRANSISTOR 2SC292 1M-0
Q355	8-729-320-01	TRANSISTOR 2SA12 15M-0
Q356	8-729-108-14	TRANSISTOR 2SA988F
Q401	8-729-354-52	TRANSISTOR 2SC2545
Q402	8-729-354-52	TRANSISTOR 2SC2545
Q403	8-729-194-57	TRANSISTOR 2SC945P
Q404	8-729-173-36	TRANSISTOR 2SA733Q
Q451	8-729-354-52	TRANSISTOR 2SC2545
Q452	8-729-354-52	TRANSISTOR 2SC2545
Q601	8-729-900-63	TRANSISTOR DTA124ES
Q602	8-729-900-36	TRANSISTOR DTC124ES
Q603	8-729-900-63	TRANSISTOR DTA124ES
Q604	8-729-107-98	TRANSISTOR 2SC3622AL
Q606	8-729-900-63	TRANSISTOR DTA124ES
Q607	8-729-900-63	TRANSISTOR DTA124ES
Q654	8-729-107-98	TRANSISTOR 2SC3622AL
R000	1-247-725-11	CARBON 10K 5% 1/4W
R101	1-246-545-00	CARBON 1M 5% 1/4W
R102	1-246-545-00	CARBON 1M 5% 1/4W
R103	1-246-545-00	CARBON 1M 5% 1/4W
R104	1-246-545-00	CARBON 1M 5% 1/4W
R105	1-247-713-11	CARBON 1K 5% 1/4W
R106	1-249-417-11	CARBON 1K 5% 1/4W
R111	1-249-417-11	(Canadian,WG)...CARBON 1K 5% 1/4W
R112	1-249-417-11	(Canadian,WG)...CARBON 1K 5% 1/4W
R113	1-249-417-11	(Canadian,WG)...CARBON 1K 5% 1/4W
R114	1-249-417-11	(Canadian,WG)...CARBON 1K 5% 1/4W
R151	1-246-545-00	CARBON 1M 5% 1/4W
R152	1-246-545-00	CARBON 1M 5% 1/4W
R153	1-246-545-00	CARBON 1M 5% 1/4W
R154	1-246-545-00	CARBON 1M 5% 1/4W
R155	1-247-713-11	CARBON 1K 5% 1/4W
R156	1-249-417-11	CARBON 1K 5% 1/4W
R161	1-249-417-11	(Canadian,WG)...CARBON 1K 5% 1/4W
R162	1-249-417-11	(Canadian,WG)...CARBON 1K 5% 1/4W
R163	1-249-417-11	(Canadian,WG)...CARBON 1K 5% 1/4W
R164	1-249-417-11	(Canadian,WG)...CARBON 1K 5% 1/4W
R202	1-247-700-11	CARBON 100 5% 1/4W
R203	1-247-717-11	CARBON 2.2K 5% 1/4W
R204	1-247-722-11	CARBON 5.6K 5% 1/4W
R205	1-249-753-15	CARBON 4.7M 5% 1/4W
R206	1-249-753-15	CARBON 4.7M 5% 1/4W
R208	1-247-170-00	CARBON 43K 5% 1/4W
R209	1-247-152-00	CARBON 7.5K 5% 1/4W
R210	1-249-464-11	CARBON 39K 5% 1/4W
R211	1-249-465-11	CARBON 47K 5% 1/4W

Ref.No.	Part No.	Description
R212	1-249-465-11	CARBON 47K 5% 1/4W
R213	1-247-722-11	CARBON 5.6K 5% 1/4W
R214	1-247-693-11	CARBON 27 5% 1/4W
R215	1-247-754-11	CARBON 1.5K 5% 1/2W
R216	1-247-754-11	CARBON 1.5K 5% 1/2W
R217	1-247-750-11	CARBON 680 5% 1/2W
R218	1-249-462-11	CARBON 22K 5% 1/4W
R219	1-249-465-11	CARBON 47K 5% 1/4W
R220	1-247-749-11	CARBON 560 5% 1/2W
R221	1-247-717-11	CARBON 2.2K 5% 1/4W
R222	1-247-725-11	CARBON 10K 5% 1/4W
R223	1-249-465-11	CARBON 47K 5% 1/4W
R224	1-247-721-11	CARBON 4.7K 5% 1/4W
R225	1-247-752-11	CARBON 1K 5% 1/2W
R226	1-247-752-11	CARBON 1K 5% 1/2W
R227	1-247-239-00	(AEP)...CARBON 1K 5% 1/4W
R227	1-247-752-11	(Canadian,WG,UK,E) ...CARBON 1K 5% 1/2W
R228	1-247-239-00	(AEP)...CARBON 1K 5% 1/4W
R228	1-247-752-11	(Canadian,WG,UK,E) ...CARBON 1K 5% 1/2W
R229	1-247-721-11	CARBON 4.7K 5% 1/4W
R230	1-247-118-00	CARBON 300 5% 1/4W
R231	1-247-702-11	CARBON 150 5% 1/4W
R233	1-247-713-11	CARBON 1K 5% 1/4W
R252	1-247-700-11	CARBON 100 5% 1/4W
R253	1-247-717-11	CARBON 2.2K 5% 1/4W
R254	1-247-722-11	CARBON 5.6K 5% 1/4W
R255	1-249-753-15	CARBON 4.7M 5% 1/4W
R256	1-249-753-15	CARBON 4.7M 5% 1/4W
R258	1-247-170-00	CARBON 43K 5% 1/4W
R259	1-247-152-00	CARBON 7.5K 5% 1/4W
R260	1-249-464-11	CARBON 39K 5% 1/4W
R261	1-249-465-11	CARBON 47K 5% 1/4W
R262	1-249-465-11	CARBON 47K 5% 1/4W
R263	1-247-722-11	CARBON 5.6K 5% 1/4W
R279	1-247-721-11	CARBON 4.7K 5% 1/4W
R283	1-247-713-11	CARBON 1K 5% 1/4W
R301	1-247-713-11	CARBON 1K 5% 1/4W
R302	1-249-599-11	CARBON 91K 5% 1/4W
R303	1-249-668-11	CARBON 620 5% 1/2W
R304	1-247-713-11	CARBON 1K 5% 1/4W
R305	1-247-707-11	CARBON 390 5% 1/4W
R306	△1-212-990-00	FUSIBLE 220 5% 1/2W F
R307	△1-212-950-00	FUSIBLE 4.7 5% 1/2W F
R308	△1-212-950-00	FUSIBLE 4.7 5% 1/2W F
R309	1-217-611-00	METAL PLATE 0.1 10% 2W
R310	1-217-611-00	METAL PLATE 0.1 10% 2W
R311	△1-247-717-11	CARBON 2.2K 5% 1/4W F
R312	1-249-460-11	CARBON 15K 5% 1/4W
R313	△1-212-962-00	FUSIBLE 15 5% 1/2W F
R314	△1-212-962-00	FUSIBLE 15 5% 1/2W F
R315	1-247-891-00	CARBON 330K 5% 1/4W
R316	1-247-725-11	CARBON 10K 5% 1/4W
R317	1-247-887-00	CARBON 220K 5% 1/4W

**Note:**  
The components identified by mark  $\Delta$  or dotted line with mark  $\Delta$  are critical for safety. Replace only with part number specified.

**Note:**  
Les composants identifiés par une marque  $\Delta$  sont critiques pour la sécurité. Ne les remplacer que par une pièce portant le numéro spécifié.

**TA-F303ESD/F630ESD**

Ref.No.	Part No.	Description					
R318	1-247-881-00	...CARBON	120K	5%	1/4W		
R319	1-249-461-11	CARBON	18K	5%	1/4W		
R320	1-247-721-11	CARBON	4.7K	5%	1/4W		
R321	1-249-462-11	CARBON	22K	5%	1/4W		
R323	△1-212-849-00	FUSIBLE	4.7	5%	1/4W	F	
R324	1-247-727-11	(WG,UK,E,AEP)					
		...CARBON	10	5%	1/2W		
R325	1-247-747-11	CARBON	470	5%	1/2W		
R326	1-249-721-11	CARBON	100K	5%	1/2W		
R327	1-247-708-11	(WG,UK,E,AEP)					
		...CARBON	470	5%	1/4W		
R351	1-247-713-11	CARBON	1K	5%	1/4W		
R352	1-249-599-11	CARBON	91K	5%	1/4W		
R353	1-249-668-11	CARBON	620	5%	1/2W		
R354	1-247-713-11	CARBON	1K	5%	1/4W		
R355	1-247-707-11	CARBON	390	5%	1/4W		
R356	△1-212-990-00	FUSIBLE	220	5%	1/2W	F	
R357	△1-212-950-00	FUSIBLE	4.7	5%	1/2W	F	
R358	△1-212-950-00	FUSIBLE	4.7	5%	1/2W	F	
R359	1-217-611-00	METAL PLATE	0.1	10%	2W		
R360	1-217-611-00	METAL PLATE	0.1	10%	2W		
R361	△1-247-717-11	CARBON	2.2K	5%	1/4W	F	
R362	1-249-460-11	CARBON	15K	5%	1/4W		
R363	△1-212-962-00	FUSIBLE	15	5%	1/2W	F	
R364	△1-212-962-00	FUSIBLE	15	5%	1/2W	F	
R365	1-247-891-00	CARBON	330K	5%	1/4W		
R374	1-247-727-11	(AEP,WG,UK,E)...CARBON	10	5%	1/2W		
R375	1-247-747-11	CARBON	470	5%	1/2W		
R376	1-249-721-11	CARBON	100K	5%	1/2W		
R377	1-247-708-11	CARBON	470	5%	1/4W		
R401	△1-216-459-00	METAL OXIDE	2.7K	5%	2W	F	
R402	△1-215-895-11	METAL OXIDE	3.3K	5%	2W	F	
R403	1-247-721-11	CARBON	4.7K	5%	1/4W		
R404	1-247-721-11	CARBON	4.7K	5%	1/4W		
R405	1-247-706-11	(Canadian,AEP,E,UK) ...CARBON	330	5%	1/4W		
R406	1-249-469-11	CARBON	100K	5%	1/4W		
R407	1-247-700-11	CARBON	100	5%	1/4W		
R408	1-249-469-11	CARBON	100K	5%	1/4W		
R409	1-247-713-11	CARBON	1K	5%	1/4W		
R410	1-247-713-11	CARBON	1K	5%	1/4W		
R411	1-247-725-11	CARBON	10K	5%	1/4W		
R412	1-249-484-11	CARBON	6.8	5%	1/2W		
R413	1-247-739-11	CARBON	100	5%	1/2W		
R414	1-247-138-00	CARBON	2K	5%	1/4W		
R415	1-247-700-11	CARBON	100	5%	1/4W		
R416	1-214-937-00	CARBON	1M	5%	1/2W		
R417	1-249-844-11	CARBON	56K	5%	1/2W		
R418	1-249-818-11	CARBON	4.7K	1%	1/2W		
R419	1-247-713-11	CARBON	1K	5%	1/4W		
R431	1-247-713-11	(WG)...CARBON	1K	5%	1/4W		
R432	1-247-713-11	(WG)...CARBON	1K	5%	1/4W		
R455	1-247-706-11	(Canadian,AEP,E,UK) ...CARBON	330	5%	1/4W		
R456	1-249-469-11	CARBON	100K	5%	1/4W		
R457	1-247-700-11	CARBON	100	5%	1/4W		
R458	1-249-469-11	CARBON	100K	5%	1/4W		
R459	1-247-713-11	CARBON	1K	5%	1/4W		
R460	1-247-713-11	CARBON	1K	5%	1/4W		

Ref.No.	Part No.	Description					
R461	1-247-725-11	CARBON	10K	5%	1/4W		
R462	1-249-484-11	CARBON	6.8	5%	1/2W		
R463	1-247-739-11	CARBON	100	5%	1/2W		
R465	1-247-700-11	CARBON	100	5%	1/4W		
R466	1-214-937-00	CARBON	1M	5%	1/2W		
R467	1-249-844-11	CARBON	56K	5%	1/2W		
R468	1-249-818-11	CARBON	4.7K	1%	1/2W		
R469	1-247-713-11	CARBON	1K	5%	1/4W		
R481	1-247-713-11	(WG)...CARBON	1K	5%	1/4W		
R482	1-247-713-11	(WG)...CARBON	1K	5%	1/4W		
R601	1-249-405-11	CARBON	100	5%	1/4W		
R613	1-249-422-11	CARBON	2.7K	5%	1/4W		
R614	1-247-903-00	CARBON	1M	5%	1/4W		
R615	1-249-417-11	CARBON	1K	5%	1/4W		
R616	1-249-422-11	CARBON	2.7K	5%	1/4W		
R617	1-249-422-11	CARBON	2.7K	5%	1/4W		
R618	1-249-422-11	CARBON	2.7K	5%	1/4W		
R619	1-249-422-11	CARBON	2.7K	5%	1/4W		
R620	1-249-422-11	CARBON	2.7K	5%	1/4W		
R621	1-249-422-11	CARBON	2.7K	5%	1/4W		
R622	1-249-421-11	CARBON	2.2K	5%	1/4W		
R623	1-249-422-11	CARBON	2.7K	5%	1/4W		
R624	1-249-422-11	CARBON	2.7K	5%	1/4W		
R625	1-259-464-11	CARBON	33K	5%	1/6W		
R626	1-259-476-11	CARBON	100K	5%	1/6W		
R627	1-249-427-11	CARBON	6.8K	5%	1/4W		
R628	1-249-434-11	CARBON	27K	5%	1/4W		
R630	1-249-421-11	CARBON	2.2K	5%	1/4W		
R631	1-249-411-11	CARBON	330	5%	1/4W		
R632	1-259-426-11	CARBON	820	5%	1/6W		
R633	1-259-428-11	CARBON	1K	5%	1/6W		
R634	1-249-417-11	CARBON	1K	5%	1/4W		
R635	1-259-468-11	CARBON	47K	5%	1/6W		
R636	1-249-433-11	CARBON	22K	5%	1/4W		
R638	1-249-441-11	CARBON	100K	5%	1/4W		
R639	1-249-393-11	CARBON	10	5%	1/4W		
R642	1-249-441-11	CARBON	100K	5%	1/4W		
R644	1-259-453-11	CARBON	11K	5%	1/6W		
R651	1-249-405-11	CARBON	100	5%	1/4W		
R652	1-249-407-11	CARBON	150	5%	1/4W		
R653	1-247-903-00	CARBON	1M	5%	1/4W		
R654	1-249-433-11	CARBON	22K	5%	1/4W		
R655	1-249-429-11	CARBON	10K	5%	1/4W		
R656	1-249-437-11	CARBON	47K	5%	1/4W		
R657	1-249-429-11	CARBON	10K	5%	1/4W		
R658	1-249-429-11	CARBON	10K	5%	1/4W		
R659	1-249-429-11	CARBON	10K	5%	1/4W		
R660	1-249-437-11	CARBON	47K	5%	1/4W		
R661	1-249-433-11	CARBON	22K	5%	1/4W		
R662	1-249-433-11	CARBON	22K	5%	1/4W		
R663	1-249-422-11	CARBON	2.7K	5%	1/4W		
R664	1-249-396-11	CARBON	18	5%	1/4W		
R701	1-259-446-11	CARBON	5.6K	5%	1/6W		
R702	1-259-449-11	CARBON	7.5K	5%	1/6W		
R703	1-259-446-11	CARBON	5.6K	5%	1/6W		
R704	1-259-461-11	CARBON	24K	5%	1/6W		
R705	1-259-460-11	CARBON	22K	5%	1/6W		

**Note:**  
The components identified by mark **△** or dotted line with mark **△** are critical for safety. Replace only with part number specified.

**Note:**  
Les composants identifiés par une marque **△** sont critiques pour la sécurité. Ne les remplacer que par une pièce portant le numéro spécifié.

Ref.No.	Part No.	Description
R706	1-259-500-11	CARBON 1M 5% 1/6W
R707	1-259-444-11	CARBON 4.7K 5% 1/6W
R708	1-259-476-11	CARBON 100K 5% 1/6W
R709	1-259-440-11	CARBON 3.3K 5% 1/6W
R710	1-259-440-11	CARBON 3.3K 5% 1/6W
R711	1-259-468-11	CARBON 47K 5% 1/6W
R713	1-259-448-11	CARBON 6.8K 5% 1/6W
R714	1-259-460-11	CARBON 22K 5% 1/6W
R715	1-259-392-11	CARBON 33 5% 1/6W
R716	1-259-468-11	CARBON 47K 5% 1/6W
R751	1-259-446-11	CARBON 5.6K 5% 1/6W
R752	1-259-449-11	CARBON 7.5K 5% 1/6W
R753	1-259-446-11	CARBON 5.6K 5% 1/6W
R754	1-259-461-11	CARBON 24K 5% 1/6W
R755	1-259-460-11	CARBON 22K 5% 1/6W
R756	1-259-500-11	CARBON 1M 5% 1/6W
R757	1-259-444-11	CARBON 4.7K 5% 1/6W
R758	1-259-476-11	CARBON 100K 5% 1/6W
R759	1-259-440-11	CARBON 3.3K 5% 1/6W
R760	1-259-440-11	CARBON 3.3K 5% 1/6W
R761	1-259-468-11	CARBON 47K 5% 1/6W
R763	1-259-448-11	CARBON 6.8K 5% 1/6W
R764	1-259-460-11	CARBON 22K 5% 1/6W
R765	1-259-392-11	CARBON 33 5% 1/6W
R766	1-259-468-11	CARBON 47K 5% 1/6W
R801	1-249-415-11	CARBON 680 5% 1/4W
R802	1-247-804-11	CARBON 75 5% 1/4W
R803	1-249-417-11	CARBON 1K 5% 1/4W
R804	1-249-415-11	CARBON 680 5% 1/4W
R805	1-249-415-11	CARBON 680 5% 1/4W
R806	1-249-417-11	CARBON 1K 5% 1/4W
R807	1-249-417-11	CARBON 1K 5% 1/4W
R808	1-247-903-00	CARBON 1M 5% 1/4W
R809	1-249-417-11	CARBON 1K 5% 1/4W
R902	1-247-727-11	(WG)...CARBON 10 5% 1/2W
R903	1-247-727-11	(WG)...CARBON 10 5% 1/2W
R952	1-247-727-11	(WG)...CARBON 10 5% 1/2W
R953	1-247-727-11	(WG)...CARBON 10 5% 1/2W
RT301	1-237-455-11	RES, ADJ, CARBON 500
RT351	1-237-455-11	RES, ADJ, CARBON 500
RV101	1-238-448-11	RES, VAR, CARBON 150K/150K(BALANCE)
RV102	1-238-446-11	RES, VAR, CARBON 250K/250K(TREBLE)
RV103	1-238-447-11	RES, VAR, CARBON 25K/500K(BASS)
RV104	1-237-472-11	RES, VAR, CARBON 120K/120K(ATTENUATOR)
RY301	1-515-501-00	RELAY
S201	1-571-824-11	SWITCH, ROTARY (INPUT SELECTOR-ANALOG)
S202	1-571-821-11	SWITCH, ROTARY SLIDE (INPUT SELECTOR-DIGITAL)
S203	1-571-823-11	SWITCH, ROTARY SLIDE(REC OUT SELECTOR)
S204	1-571-828-11	SWITCH, PUSH (1 KEY)(SOURCE DIRECT)
S205	1-571-827-11	SWITCH, PUSH (1 KEY)(MUTING)
S206	1-571-822-11	SWITCH, ROTARY SLIDE(SPEAKER)
S207	1-571-825-11	SWITCH, ROTARY (MODE)
S401	1-571-111-11	SWITCH, PUSH (1 KEY)(CARTRIDGE)
S501	1-554-920-31	SWITCH, PUSH (AC POWER)(1 KEY)(POWER)
S502	1-570-307-11	(E)...SWITCH, VOLTAGE CHANGE (VOLTAGE SELECTOR)

Ref.No.	Part No.	Description
T1	1-449-691-11	(Canadian)...TRANSFORMER, POWER
T1	1-449-693-11	(AEP).....TRANSFORMER, POWER
T1	1-449-694-11	(WG).....TRANSFORMER, POWER
T1	1-449-695-11	(E).....TRANSFORMER, POWER
T1	1-449-769-11	(UK).....TRANSFORMER, POWER
TM501	1-537-235-11	(UK)....TERMINAL BOARD(SP)
TM501	1-537-235-11	(E).....TERMINAL BOARD(SP)(SPEAKER A,B)
TM501	1-537-227-11	(AEP)...TERMINAL BOARD(SP)(SPEAKER A,B)
TM501	1-537-228-11	(WG,Canadian) ...TERMINAL BOARD(SP)(SPEAKER A,B)
VH1	*1-564-104-00	PIN, CONNECTOR 3P
VH2	*1-564-321-00	PIN, CONNECTOR 2P
VH3	1-564-320-00	PIN, CONNECTOR 2P
VH4	*1-564-321-00	(AEP,WG,UK)...PIN, CONNECTOR 2P
VH5	*1-565-792-11	PIN, CONNECTOR 2P
VH6	*1-564-321-00	(AEP,WG,UK)...PIN, CONNECTOR 2P
VH8	*1-564-241-00	PIN, CONNECTOR 4P
VH9	*1-560-595-21	(E).....TERMINAL (WITH BASE)
VH9	*1-564-321-00	(UK,Canadian)...PIN, CONNECTOR 2P
VH11	*1-564-321-00	(E)...PIN, CONNECTOR 2P
VH12	1-564-320-00	PIN, CONNECTOR 2P
VH20	1-535-141-00	(E)...BASE POST 22MM (10MM PITCH) 4P
X601	1-577-269-11	VIBRATOR, CRYSTAL (18.43MHZ)

ACCESSORY & PACKING MATERIAL

3-786-976-11	(Canadian,UK,E)...MANUAL, INSTRUCTION
3-786-976-41	(AEP,WG).....MANUAL, INSTRUCTION
*4-929-219-01	CUSHION
*4-929-221-01	(E).....INDIVIDUAL CARTON
*4-929-221-11	(Canadian,AEP,WG,UK)...INDIVIDUAL CARTON

**Note:**  
The components identified by mark  $\Delta$  or dotted line with mark  $\Delta$  are critical for safety. Replace only with part number specified.

**Note:**  
Les composants identifiés par une marque  $\Delta$  sont critiques pour la sécurité. Ne les remplacer que par une pièce portant le numéro spécifié.